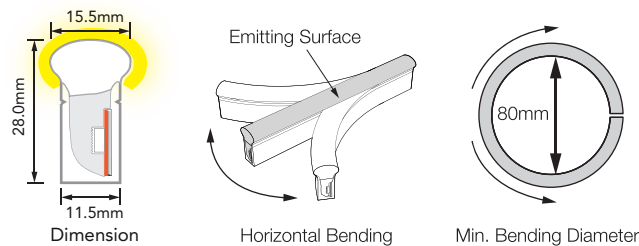


SF21 Multi Color RGBW Silicone LED Linear Flex

SF21-48V-5050-84-RGBW

Specification



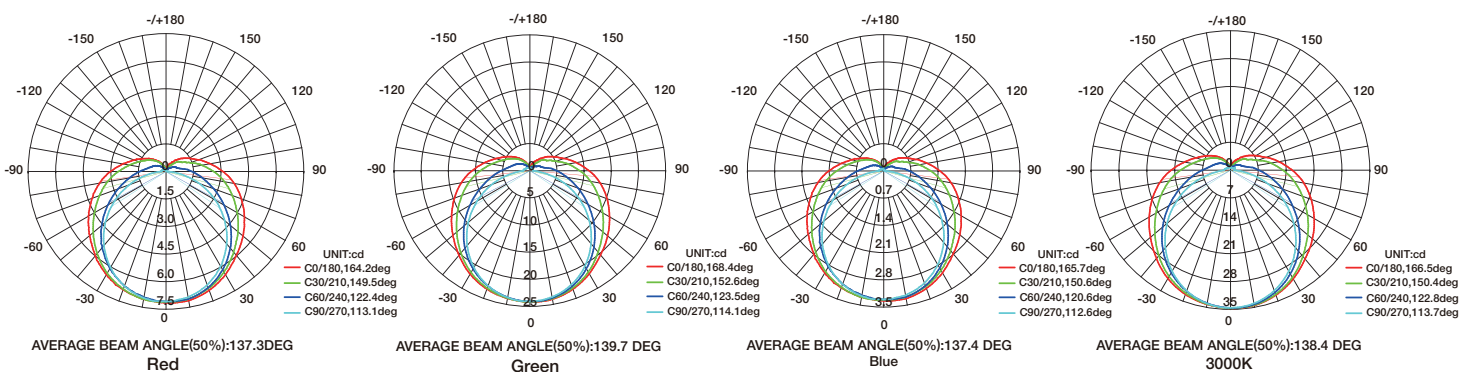
Beam Angle	RGBW	One Bin	Dimmable	Submersible	Ambient Temp
Class 3	LM-80	IK08	UV Resistant	Anti-Yellowing	Flame Resistant
Saltwater Resistant	Solvents Resistant	Dirt Resistant	CE	RoHS	5 years warranty

Technical Parameters

Electrical	
Input Voltage	48V DC
Power Consumption	20W/m
Physical	
LED Count	84 LEDs/m
Cutting Unit	14 LEDs
Cutting Unit Length	166.7mm
Minimum Bend Diameter	80mm
Output	
LED Light	Epistar SMD LED 5050
Color	RGBW(2200K/3000K/4000K/5000K)
Max Run Length*	
Single Feed	14 M
Double Feed	28 M
Beam Angle	270°
Lumen Maintenance	70,000 Hours L70 @ 25°C 50,000 Hours L70 @ 50°C
Temperature Ranges	
Installation	0°C to 50°C
Operating	-40°C to 55°C
Dependability	
Warranty	5 Years Warranty
IP Rating	IP68 Wet location submersible <2m

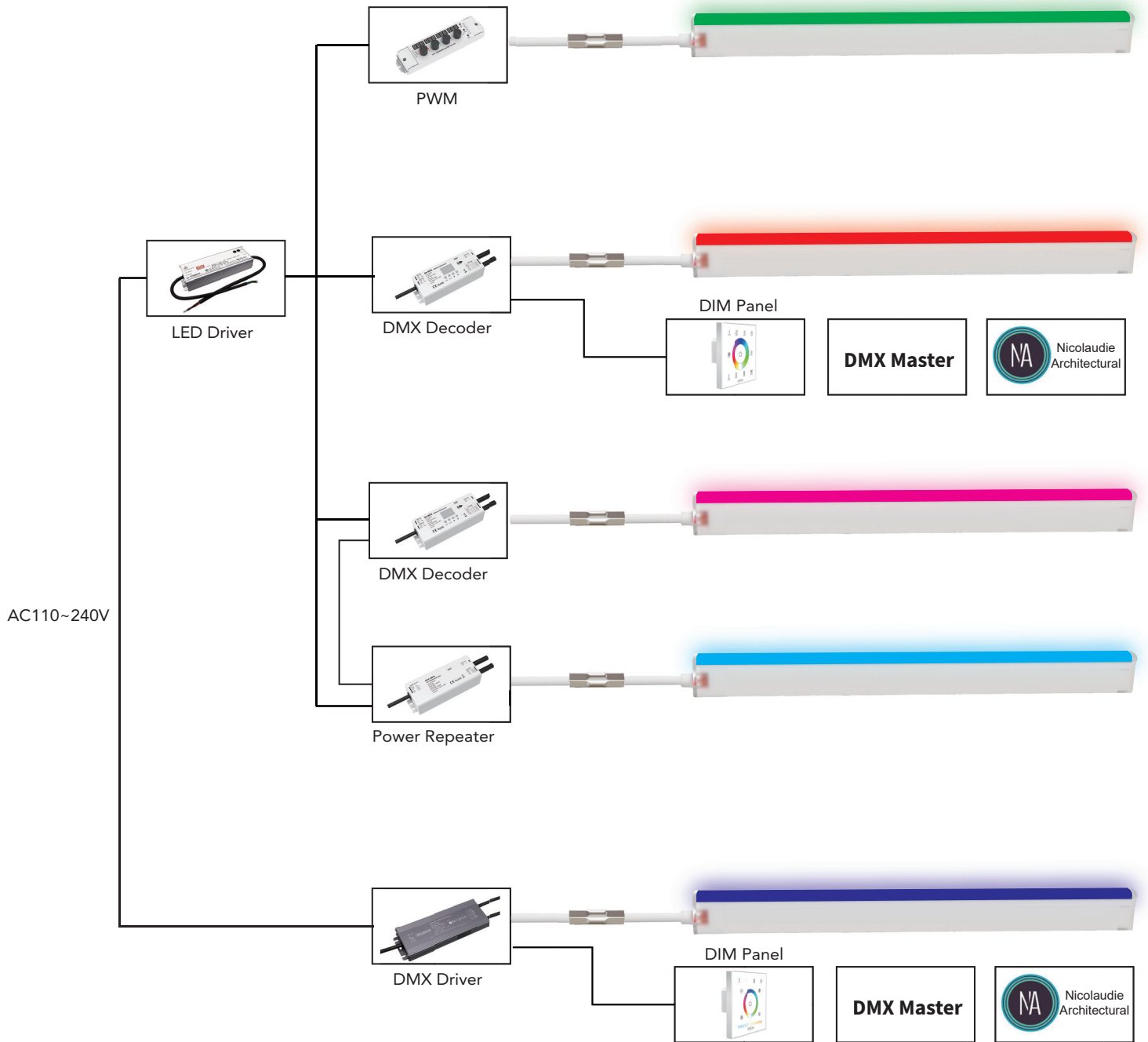
Emitting Color	Lumen Output
	Red 32lm/m
	Green 111lm/m
	Blue 20lm/m
	RGB(White) 242lm/m
	3000K 158lm/m

Illuminance Distribution



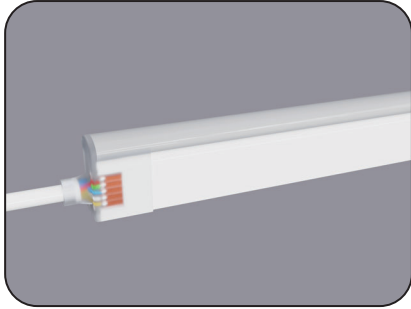
SF21 Multi Color RGBW Silicone LED Linear Flex

Connection

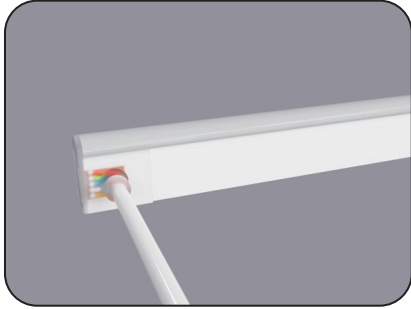
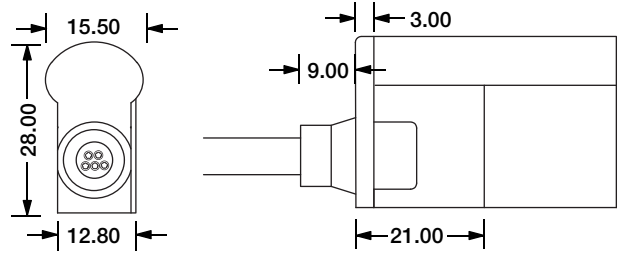


SF21 Configuration and Accessories

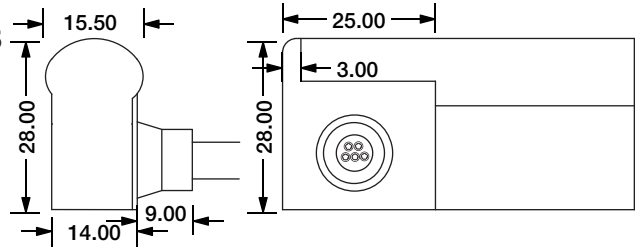
Mold Injection Connector (IP68 Factory Assembly Only)



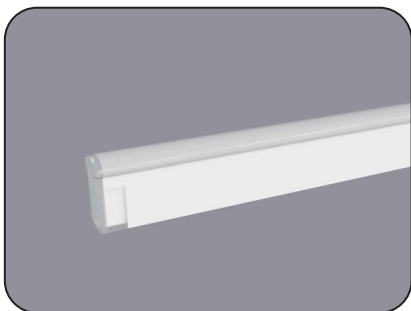
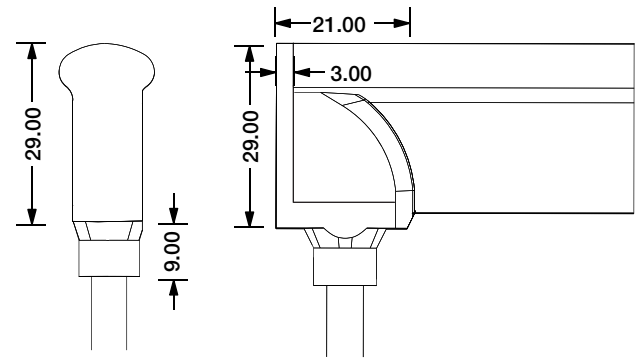
Direct Entry Connector
 MJ-SF21-RGBW-D01/02/03
 MJ-SF21-RGBW-D01SM
 MJ-SF21-RGBW-D02SF
 MJ-SF21-RGBW-D03SFM



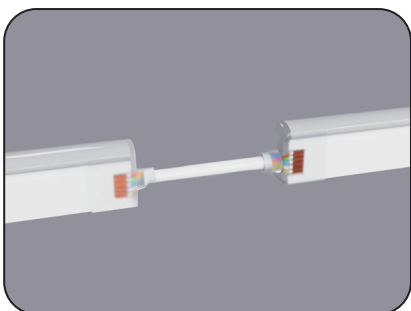
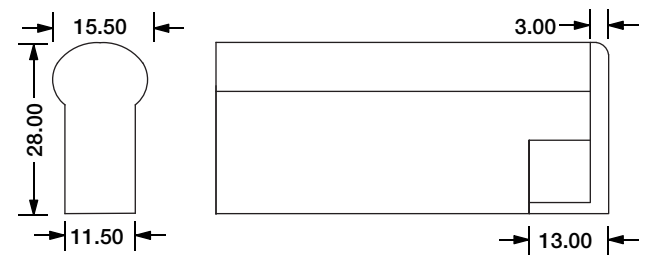
Side Entry Connector
 MJ-SF21-RGBW-S01/02/03
 MJ-SF21-RGBW-S01SM
 MJ-SF21-RGBW-S02SF
 MJ-SF21-RGBW-S03SFM



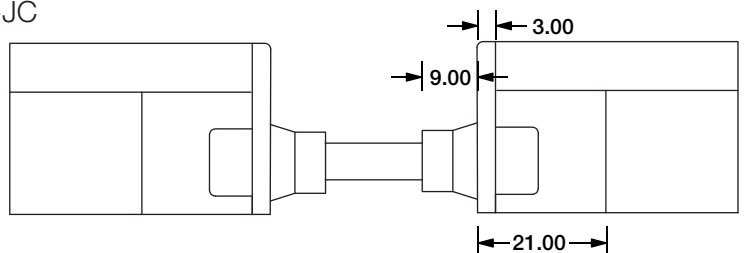
Bottom Entry Connector
 MJ-SF21-RGBW-B01/02/03
 MJ-SF21-RGBW-B01SM
 MJ-SF21-RGBW-B02SF
 MJ-SF21-RGBW-B03SFM



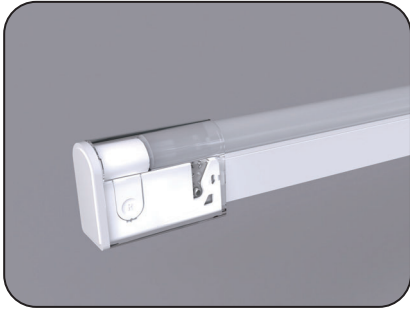
End Cap



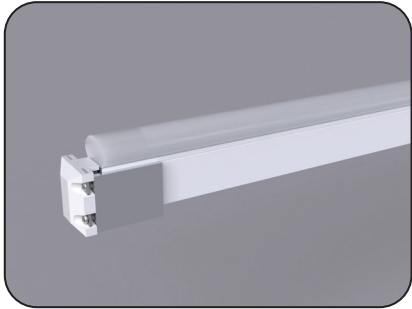
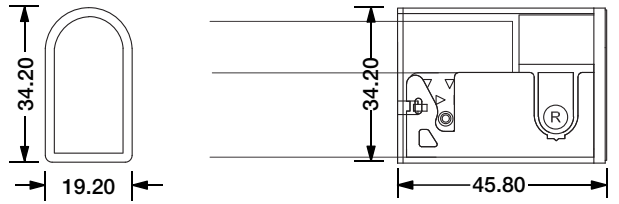
Jumper
 MJ-SF21-RGBW-D-JC



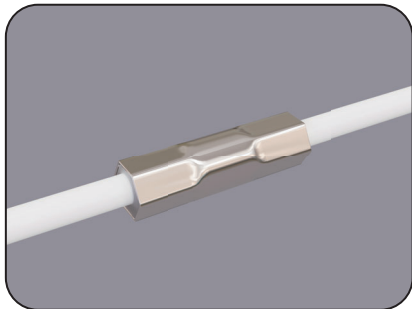
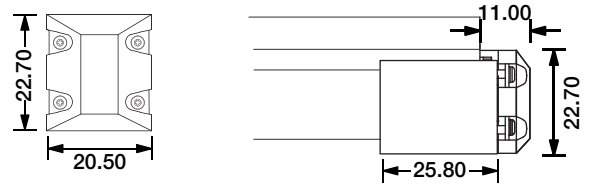
SF21 Configuration and Accessories



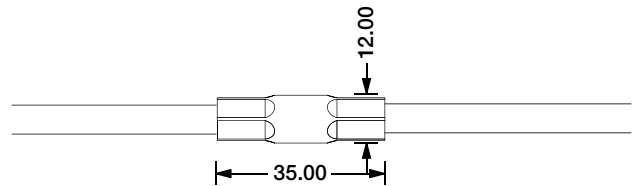
DIY Snap End Cap
DIY-SN-END-21-D-01/02



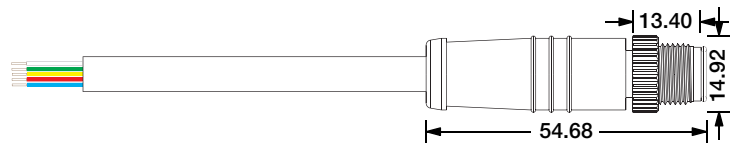
DIY Screw End Cap
DIY-SC-END-15



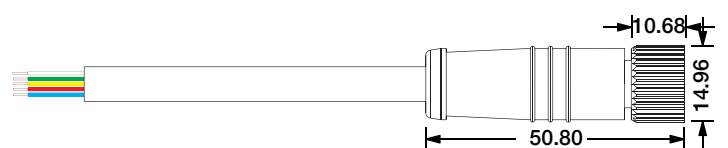
Waterproof Interrupter



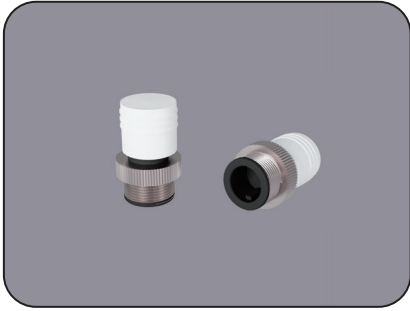
Male Connector
M12-M-5C-22AWG-D6-W-0327-S



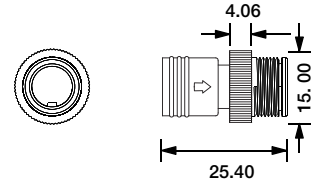
Female Connector
M12-F-5C-22AWG-D6-W-0327-S



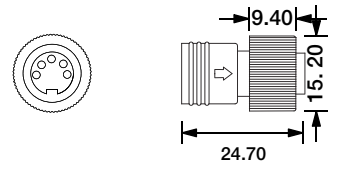
SF21 Configuration and Accessories



Male Connector End Cap
SYZ-EC-M12-M

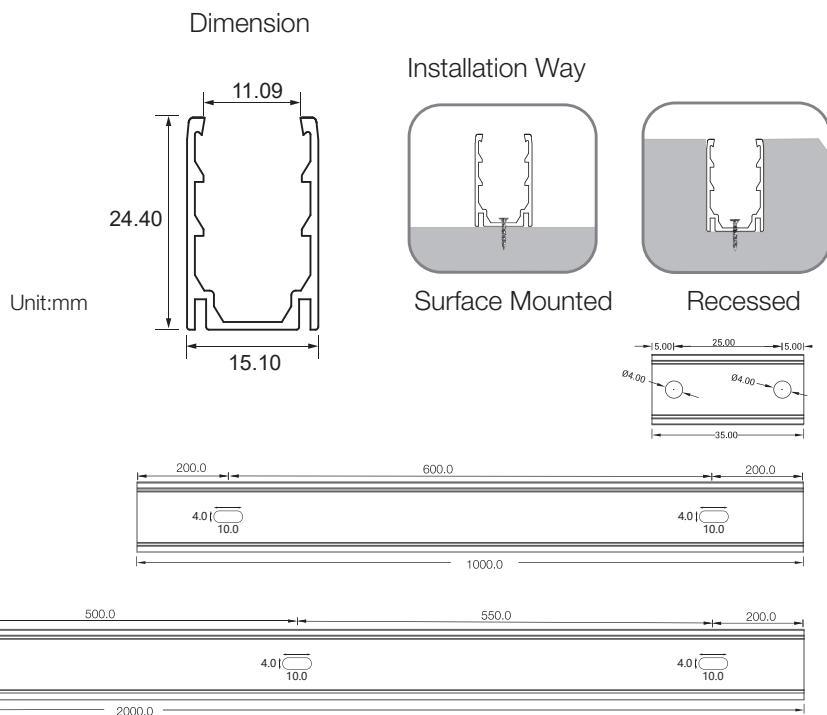
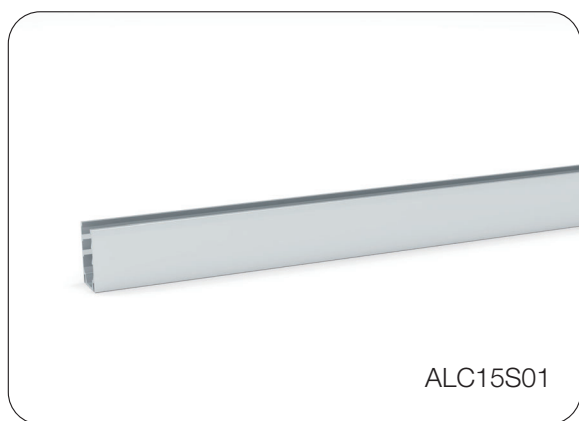


Female Connector End Cap
SYZ-EC-M12-F-5C

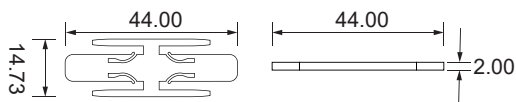
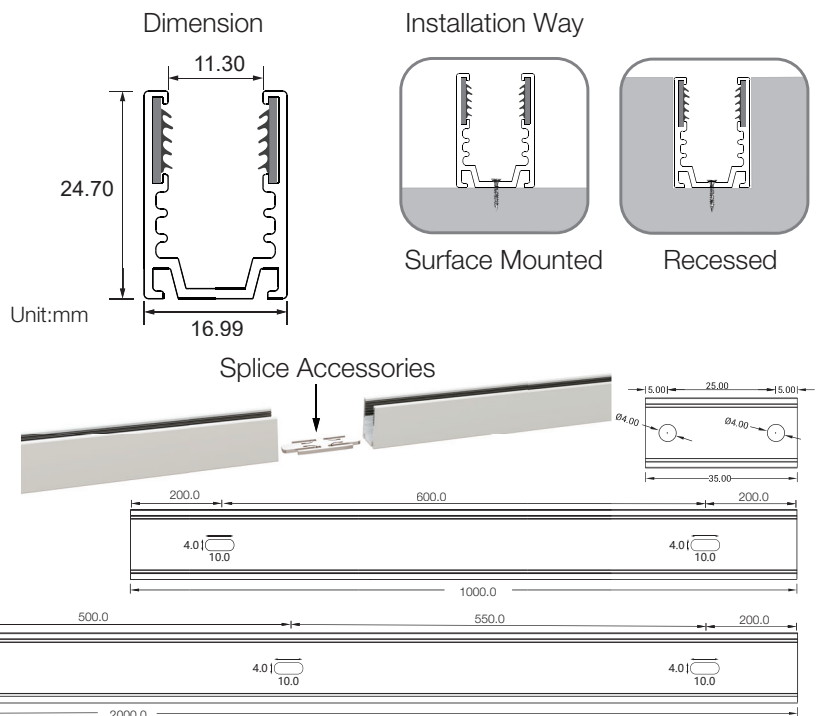


LED Linear Flex Mounting Channel

1. Aluminum Channel



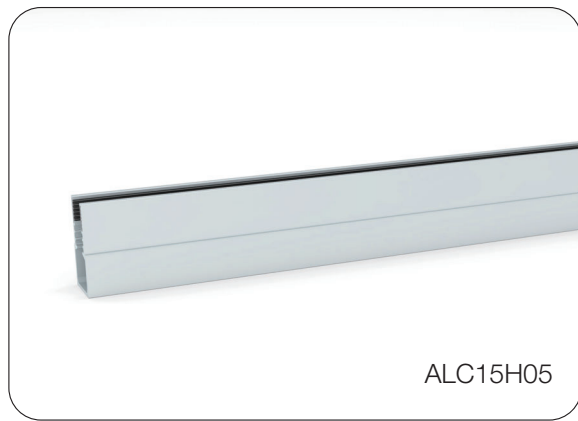
Model	W x H(mm)	Standard Length	Screw Holes	Holes Numbers	Suitable Product
ALC15S01-035	15.10*24.40	35mm	Φ4.0mm	2	F21, SF21
ALC15S01-100		1000mm	○4.0mm	2	F21, SF21
ALC15S01-200		2000mm	○4.0mm	4	F21, SF21



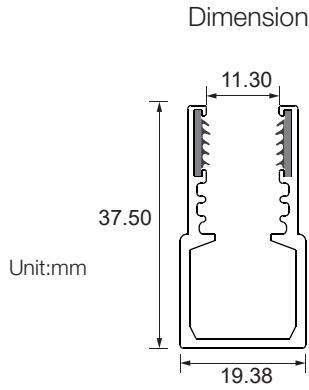
Splice Accessories: ALC15S04-SP

Model	W x H(mm)	Standard Length	Screw Holes	Holes Numbers	Suitable Product
ALC15S04-035	16.99*24.70	35mm	Φ4.0mm	2	F21 SF21
ALC15S04-100		1000mm	○4.0mm	2	F21, SF21
ALC15S04-200		2000mm	○4.0mm	4	F21, SF21

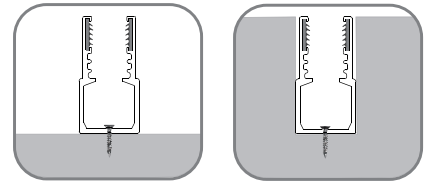
LED Linear Flex Mounting Channel



ALC15H05

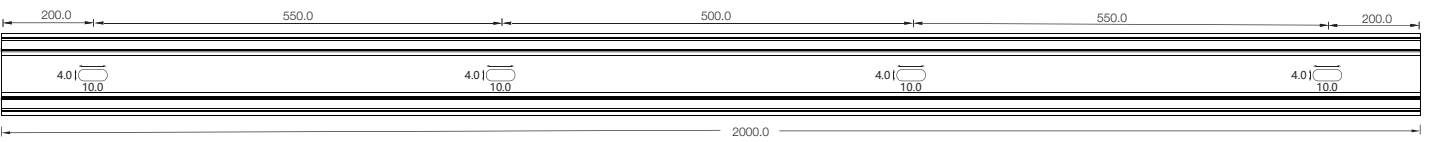
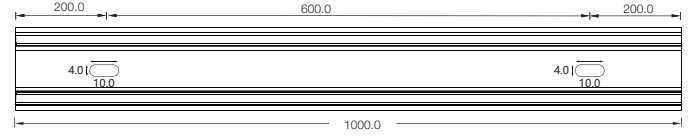
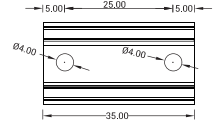


Installation Way

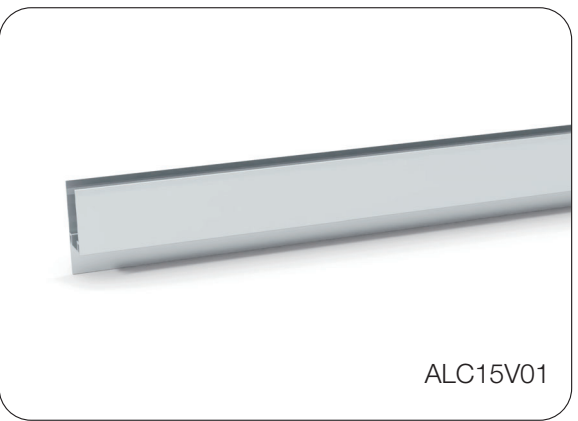


Surface Mounted

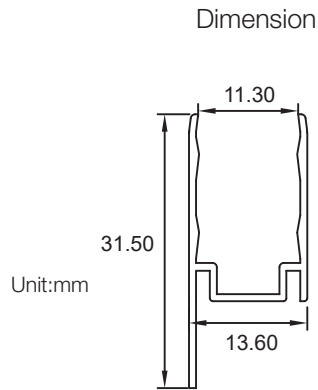
Recessed



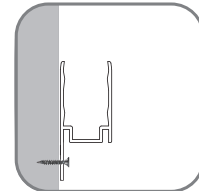
Model	W x H(mm)	Standard Length	Screw Holes	Holes Numbers	Suitable Product
ALC15H05-035	19.38*37.50	35mm	Φ4.0mm	2	F21, SF21
ALC15H05-100		1000mm	○4.0mm	2	F21, SF21
ALC15H05-200		2000mm	○4.0mm	4	F21, SF21



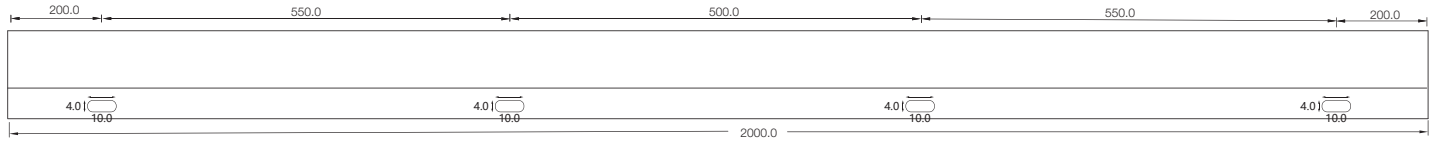
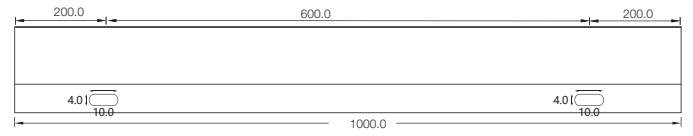
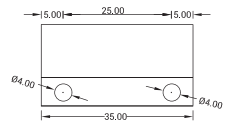
ALC15V01



Installation Way



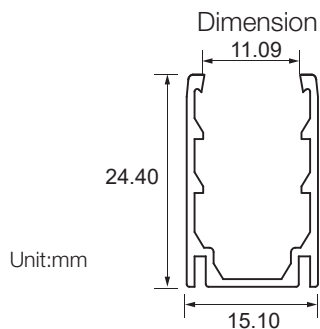
Surface Mounted



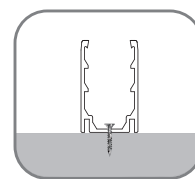
Model	W x H(mm)	Standard Length	Screw Holes	Holes Numbers	Suitable Product
ALC15V01-035	13.60*31.50	35mm	Φ4.0mm	2	F21, SF21
ALC15V01-100		1000mm	○4.0mm	2	F21, SF21
ALC15V01-200		2000mm	○4.0mm	4	F21, SF21

LED Linear Flex Mounting Channel

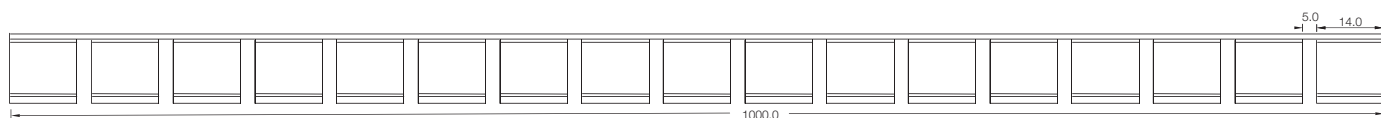
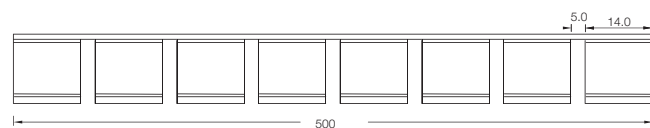
2. Flexible Aluminum Channel



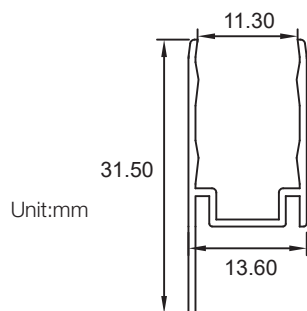
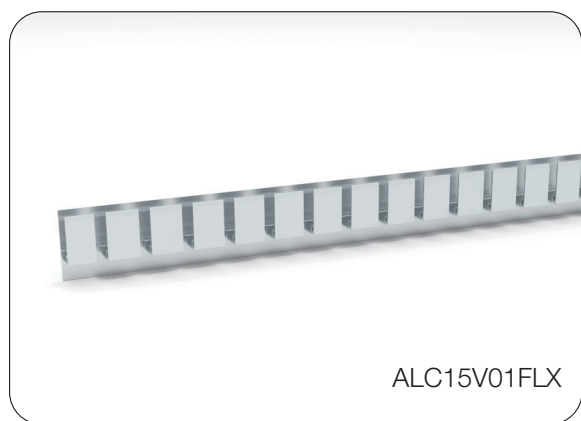
Installation Way



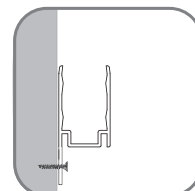
Surface Mounted



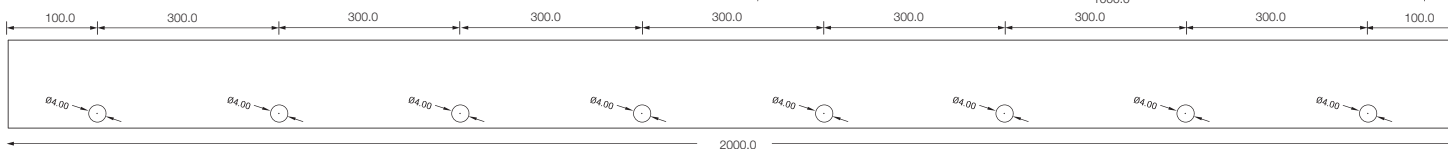
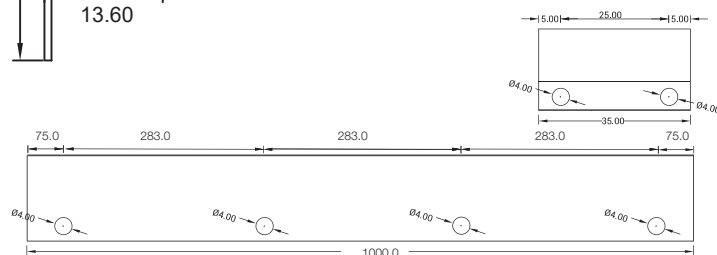
Model	W x H(mm)	Standard Length	Suitable Product
ALC15S01FLX05	15.10*24.40	500mm	F21, SF21
ALC15S01FLX10		1000mm	F21, SF21



Installation Way



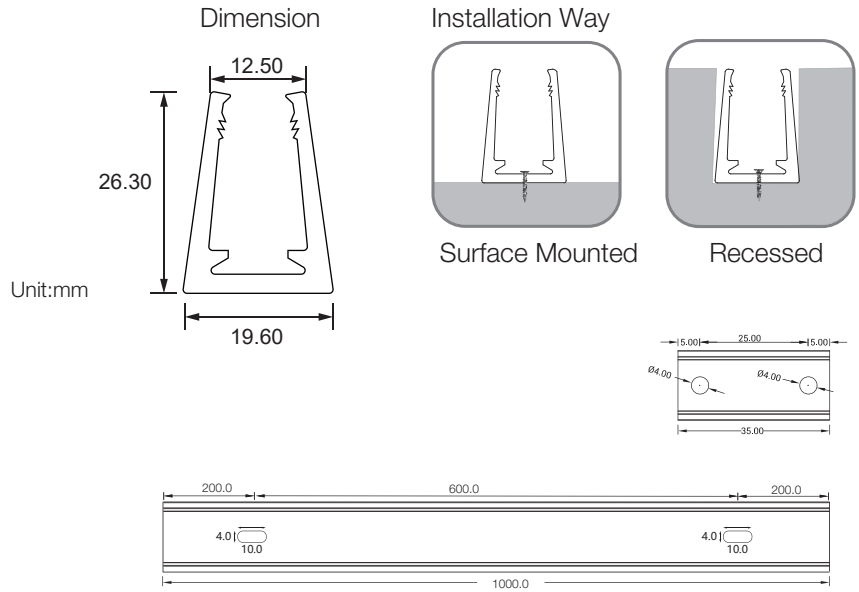
Surface Mounted



Model	W x H(mm)	Standard Length	Screw Holes	Holes Numbers	Suitable Product
ALC15V01FLX-100	13.60*31.50	1000mm	○4.0mm	4	F21, SF21
ALC15V01FLX-200		2000mm	○4.0mm	8	F21, SF21

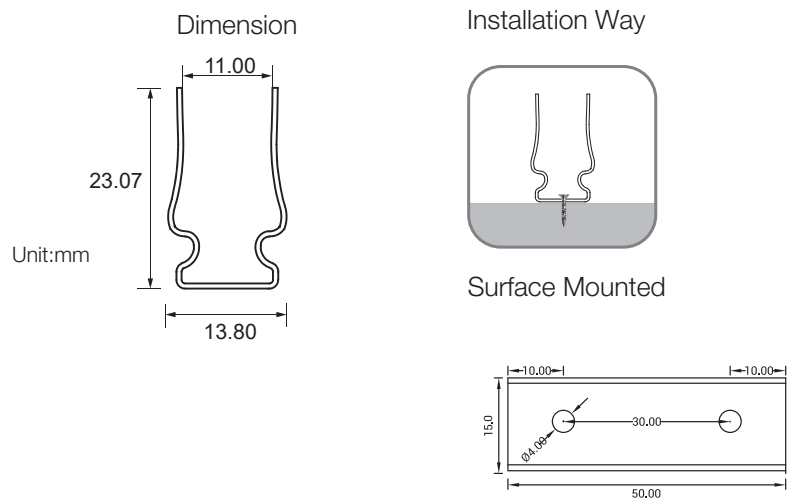
LED Linear Flex Mounting Channel

3. Plastic Channel



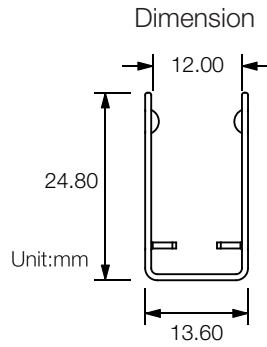
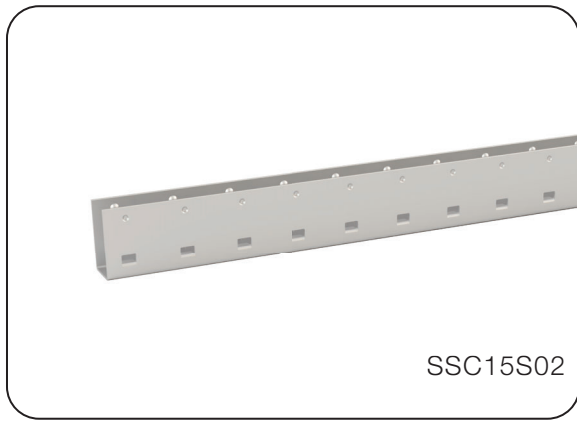
Model	W x H(mm)	Standard Length	Screw Holes	Holes Numbers	Suitable Product
PC15/21S01-T-035	19.60*26.30	35mm	Φ4.0mm	2	F21, SF21
PC15/21S01-T-100		1000mm	○4.0mm	2	F21, SF21

4. Stainless Steel Channel

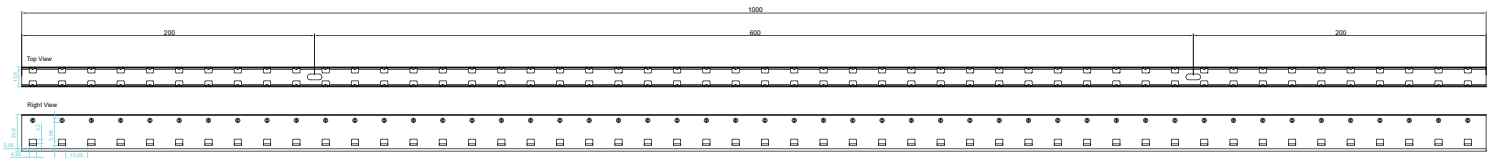
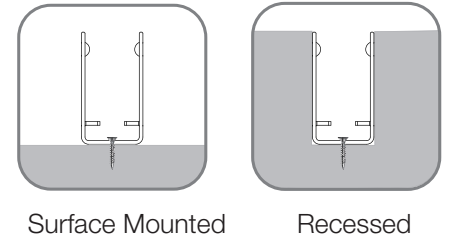


Model	W x H(mm)	Standard Length	Screw Holes	Holes Numbers	Suitable Product
SSC15S01-05	13.80*23.07	50mm	Φ4.0mm	2	F21, SF21

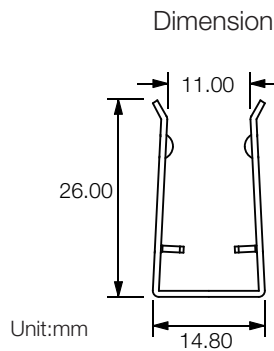
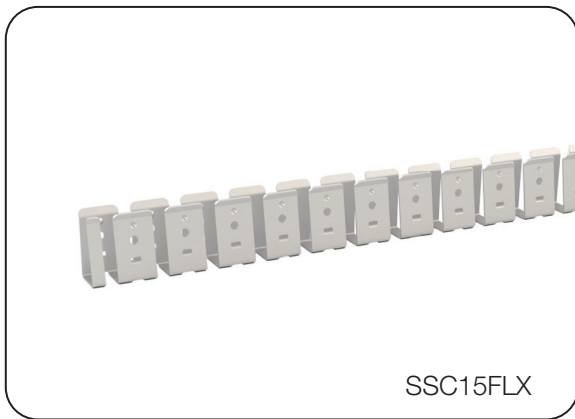
LED Linear Flex Mounting Channel



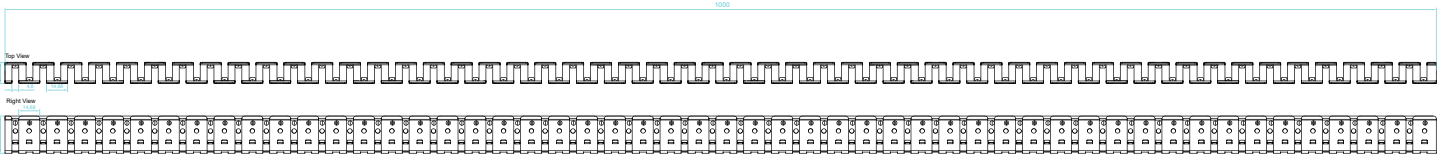
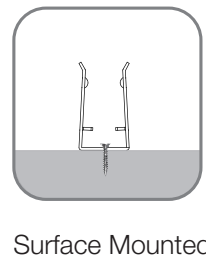
Installation Way



Model	W x H(mm)	Standard Length	Material	Screw Holes	Holes Numbers	Suitable Product
SSC15S02-100	13.60*24.80	1000mm	Stainless Steel 316L	○4.0x10mm	2	F21, SF21



Installation Way



Model	W x H(mm)	Standard Length	Material	Suitable Product
SSC15FLX01	14.80*26.00	100mm	Stainless Steel 316L	F21, SF21
SSC15FLX03		300mm	Stainless Steel 316L	F21, SF21
SSC15FLX05		500mm	Stainless Steel 316L	F21, SF21
SSC15FLX10		1000mm	Stainless Steel 316L	F21, SF21

Product Packing Details



Standard : Carton (White Carton+Paper Reel Inside)

Product	Max.length/Reel	Carton Size	Net Weight	Gross Weight
F15/SF15	30m	35*35*19cm	12.0kg	13.6kg
F16/SF16	28m	35*35*19cm	12.9kg	14.5kg
SF17	28m	35*35*19cm	12.9kg	14.5kg
SF18	28m	35*35*19cm	12.9kg	14.5kg
F21/SF21	20m	35*35*19cm	10.4kg	12.0kg
SF10	35m	35*35*19cm	11.2kg	12.8kg
SF09	45m	35*35*19cm	7.7kg	9.3kg
SF08	60m	35*35*19cm	14.4kg	16.0kg
SF06	60m	35*35*19cm	14.4kg	16.0kg



Standard : Carton (White Carton+ Roll up packing Inside)

Product	Coiling Max. length	Quantity (Roll)	Carton Size	Net Weight	Gross Weight
SP01	10m	10	35*35*19cm	20.0kg	21.6kg
SP05	11m	10	35*35*19cm	19.8kg	21.4kg
SF05	11m	10	35*35*19cm	18.0kg	19.6kg
SF06	8m	14	35*35*19cm	26.8kg	28.4kg
SF08	8m	14	35*35*19cm	26.8kg	28.4kg
SF09	8m	10	35*35*19cm	14.4kg	16.0kg
SF10	6m	11	35*35*19cm	21.2kg	22.8kg
F15/SF15	6m	7	35*35*19cm	16.8kg	18.4kg
F16/SF16	4.5m	9	35*35*19cm	18.7kg	20.3kg
SF17	4.5m	9	35*35*19cm	18.7kg	20.3kg
SF18	4.5m	9	35*35*19cm	18.7kg	20.3kg
F21/SF21	4.5m	9	35*35*19cm	21.0kg	22.6kg
SF24	13m	2	41*41*19cm	15.6kg	17.5kg

Product Packing Details



Custom : Carton (White Box+Plastic Plate Inside)

Product	Packing 1				Packing 2			
	Packing 1 Max. Length	Quantity (Plate)	Carton Size	Gross Weight	Packing 2 Max. Length	Quantity (Plate)	Carton Size	Gross Weight
F15/SF15	5m	1	41*41*5cm	2.5kg	10m	1	57*48*6cm	5.0kg
		4	41*41*19cm	10.6kg		5	57*48*19cm	25.0kg
F16/SF16	5m	1	41*41*5cm	2.5kg	10m	1	63*53*6cm	5.0kg
		4	41*41*19cm	10.0kg		3	63*53*16cm	15.0kg
SF17	5m	1	41*41*5cm	2.5kg	10m	1	63*53*6cm	5.0kg
		4	41*41*19cm	10.6kg		3	63*53*16cm	15.0kg
SF18	5m	1	41*41*5cm	2.5kg	10m	1	63*53*6cm	5.0kg
		4	41*41*19cm	10.6kg		3	63*53*16cm	15.0kg
F21/SF21	5m	1	41*41*5cm	3.1kg	10m	1	63*53*6cm	6.2kg
		4	41*41*19cm	13.0kg		3	63*53*16cm	18.6kg
SP01	10m	1	41*41*5cm	2.6kg	20m	1	57*48*6cm	5.0kg
		4	41*41*19cm	11.0kg		5	57*48*19cm	25.0kg
SP05	10m	1	41*41*5cm	2.4kg	20m	1	57*48*6cm	3.6kg
		4	41*41*19cm	9.6kg		5	57*48*19cm	18.0kg
SF05	10m	1	41*41*5cm	2.0kg	20m	1	57*48*6cm	4.0kg
		4	41*41*19cm	8.0kg		5	57*48*19cm	20.0kg
SF06	7m	1	41*41*5cm	2.3kg	14m	1	57*48*6cm	4.4kg
		4	41*41*19cm	9.2kg		5	57*48*19cm	22.0kg
SF08	7m	1	41*41*5cm	2.3kg	14m	1	57*48*6cm	4.4kg
		4	41*41*19cm	9.2kg		5	57*48*19cm	22.0kg
SF09	9m	1	41*41*5cm	2.0kg	18m	1	57*48*6cm	3.9kg
		4	41*41*19cm	8.0kg		5	57*48*19cm	19.5kg
SF10	5m	1	41*41*5cm	2.3kg	10m	1	57*48*6cm	4.2kg
		4	41*41*19cm	9.2kg		5	57*48*19cm	21.0kg
SF24	5m	1	57*48*6cm	2.3kg	10m	1	63*53*6cm	4.2kg
		4	57*48*19cm	9.2kg		5	63*53*16cm	21.0kg
SF33	3m	1	63*53*6cm	3.4kg	10m	1	85*73*6cm	11.5kg
		3	63*53*16cm	10.2kg		2	85*73*11cm	23.0kg
SF34	3m	1	63*53*6cm	3.2kg	10m	1	85*73*6cm	11.0kg
		3	63*53*16cm	9.6kg		2	85*73*11cm	22.0kg