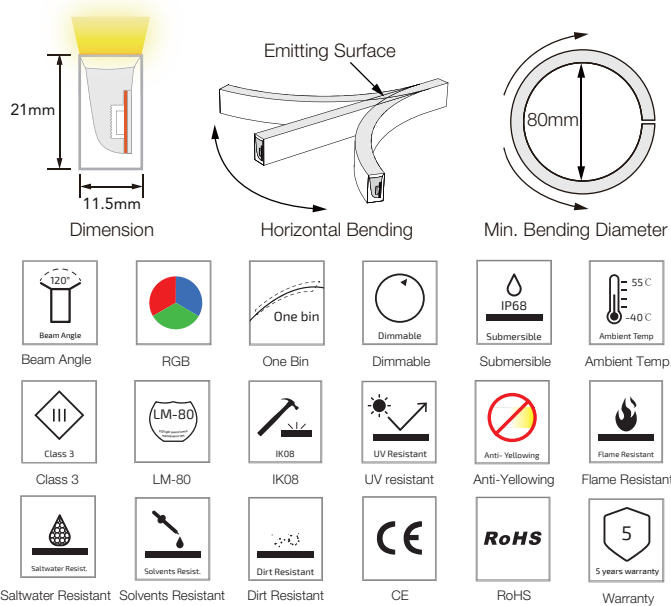


SF15 Multi Color RGB Silicone LED Linear Flex

SF15-48V-5050-84-RGB

Specification

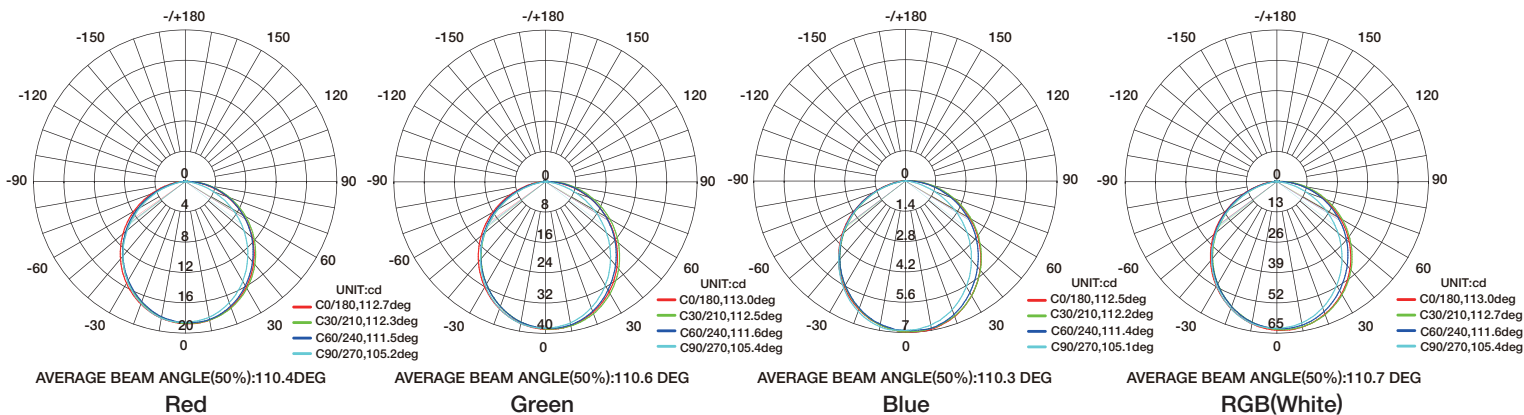


Technical Parameters

Electrical	
Input Voltage	48V DC
Power Consumption	15W/m
Physical	
LED Count	84 LEDs/m
Cutting Unit	14 LEDs
Cutting Unit Length	166.7 mm
Minimum Bend Diameter	80mm
Output	
LED Light	Epistar SMD LED 5050
Color	RGB
Max Run Length*	
Single Feed	20 M
Double Feed	40 M
Beam Angle	120°
Lumen Maintenance	70,000 Hours L70 @ 25°C 50,000 Hours L70 @ 50°C
Temperature Ranges	
Installation	0°C to 50°C
Operating	-40°C to 55°C
Dependability	
Warranty	5 Years Warranty
IP Rating	IP68 Wet location submersible <2m

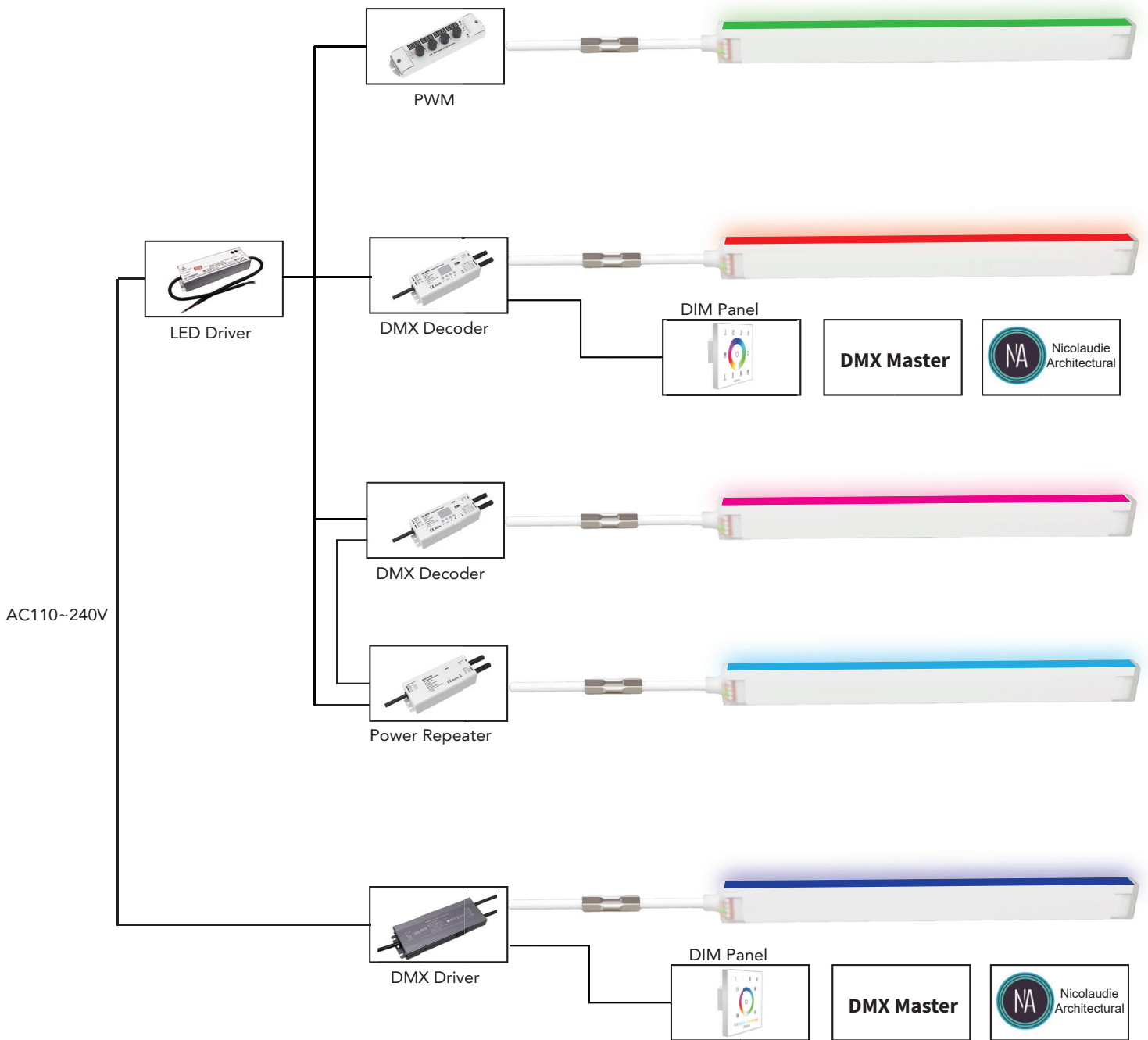
Emitting Color	Lumen Output
Red	60lm/m
Green	130lm/m
Blue	40lm/m
RGB(White)	200lm/m

Illuminance Distribution



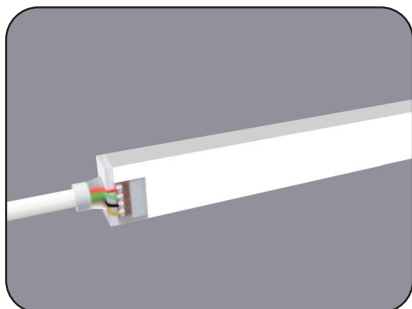
SF15 Multi Color RGB Silicone LED Linear Flex

Connection

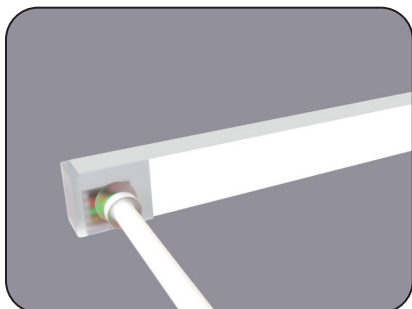
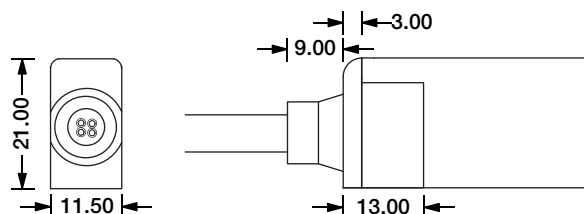


SF15 Configuration and Accessories

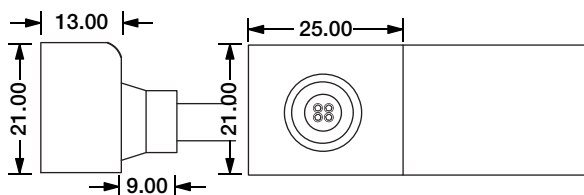
Mold Injection Connector (IP68 Factory Assembly Only)



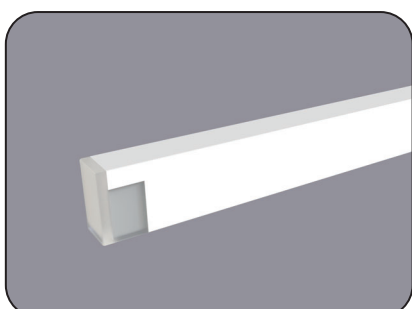
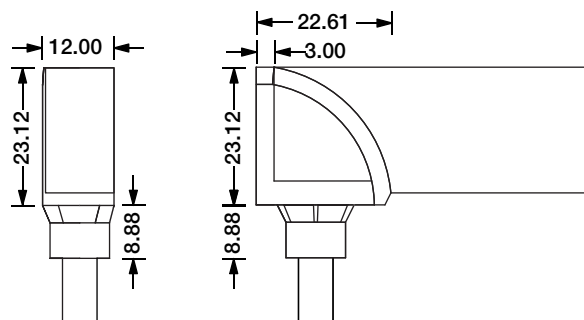
Direct Entry Connector
 MJ-SF15-RGB-D01/02/03
 MJ-SF15-RGB-D01SM
 MJ-SF15-RGB-D02SF
 MJ-SF15-RGB-D03SFM



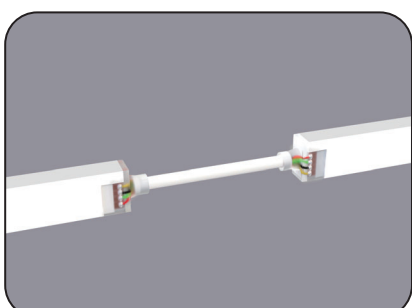
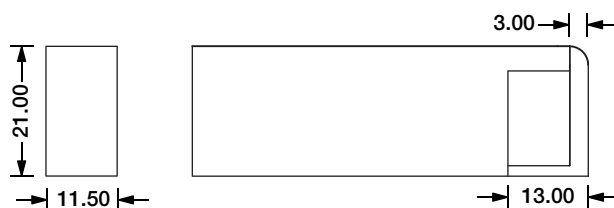
Side Entry Connector
 MJ-SF15-RGB-S01/02/03
 MJ-SF15-RGB-S01SM
 MJ-SF15-RGB-S02SF
 MJ-SF15-RGB-S03SFM



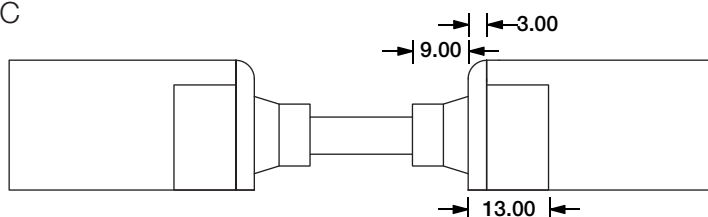
Bottom Entry Connector
 MJ-SF15-RGB-B01/02/03
 MJ-SF15-RGB-B01SM
 MJ-SF15-RGB-B02SF
 MJ-SF15-RGB-B03SFM



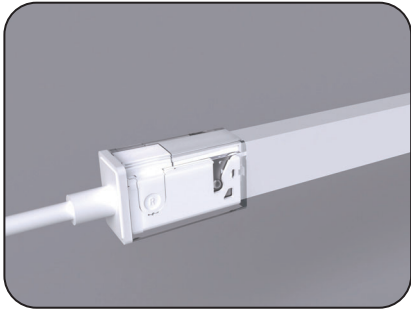
End Cap



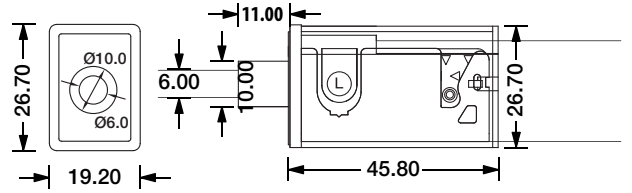
Jumper
 MJ-SF15-RGB-D-JC



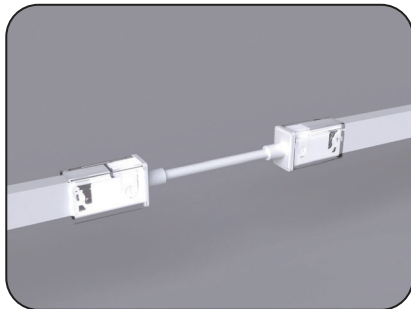
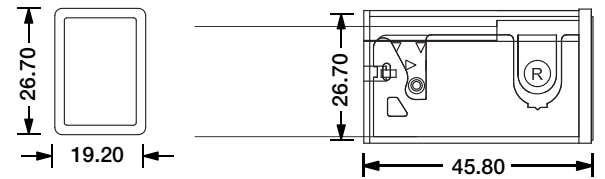
SF15 Configuration and Accessories



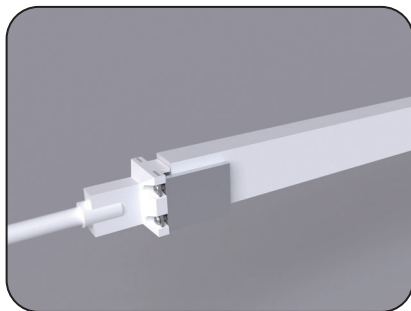
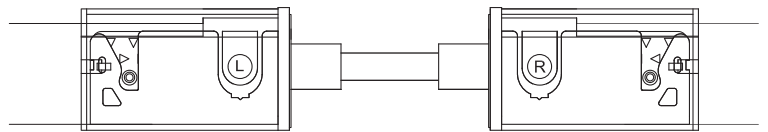
DIY Snap Connector
DIY-SN-FR-15-D-01/02-RGB



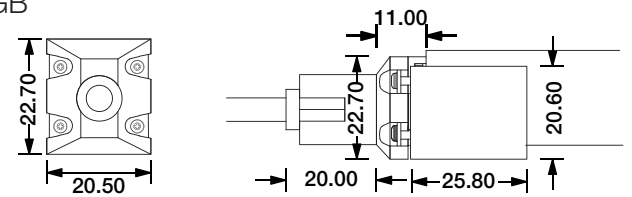
DIY Snap End Cap
DIY-SN-END-15-D-01/02



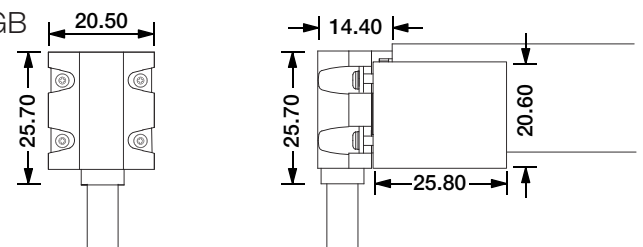
DIY Snap Extent Connector
DIY-SN-EXT-15-RGB



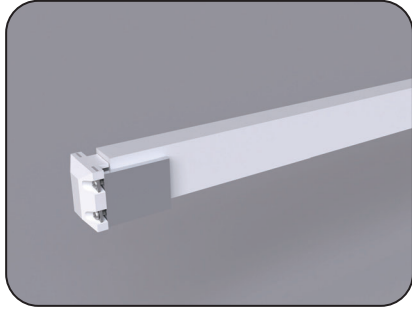
DIY Screw Connector
DIY-SC-FR-15-D-01/02-RGB



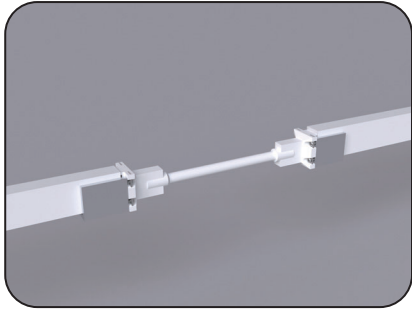
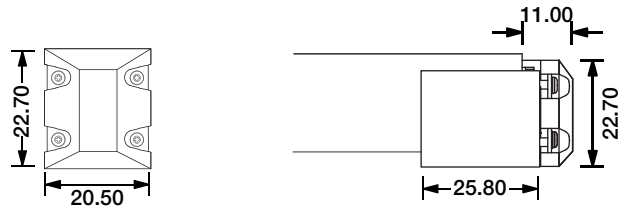
DIY Screw Connector
DIY-SC-FR-15-B-01/02-RGB



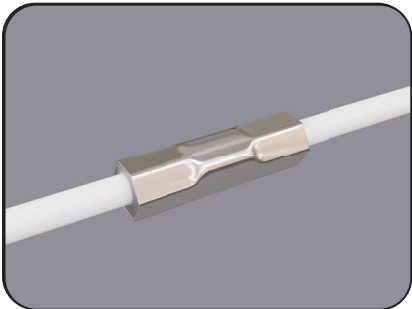
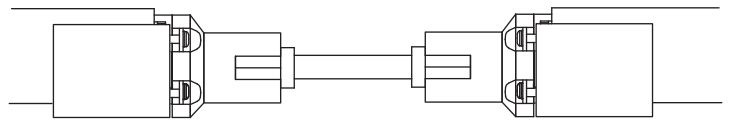
SF15 Configuration and Accessories



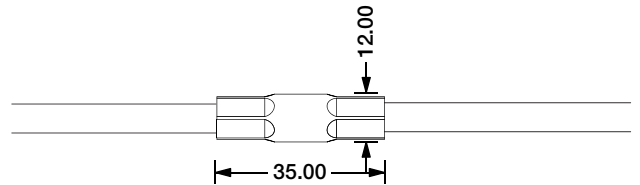
DIY Screw End Cap
DIY-SC-END-15



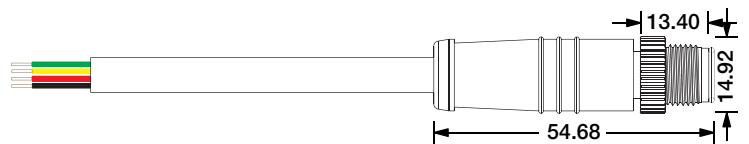
DIY Screw Extent Connector
DIY-SC-EXT-15-RGB



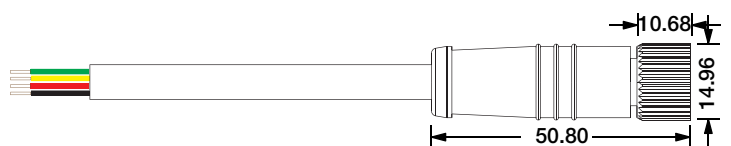
Waterproof Interrupter



Male Connector
M12-M-4C-20AWG-D6-W-0327-S



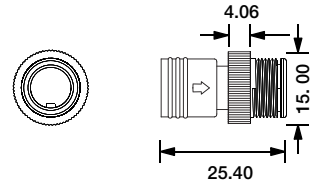
Female Connector
M12-F-4C-20AWG-D6-W-0327-S



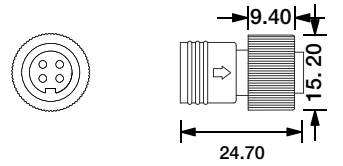
SF15 Configuration and Accessories



Male Connector End Cap
SYZ-EC-M12-M

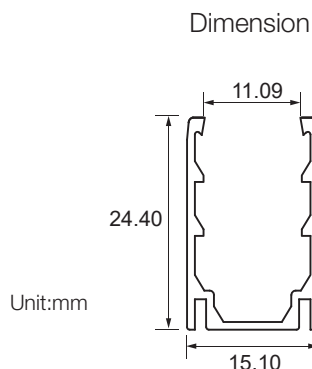
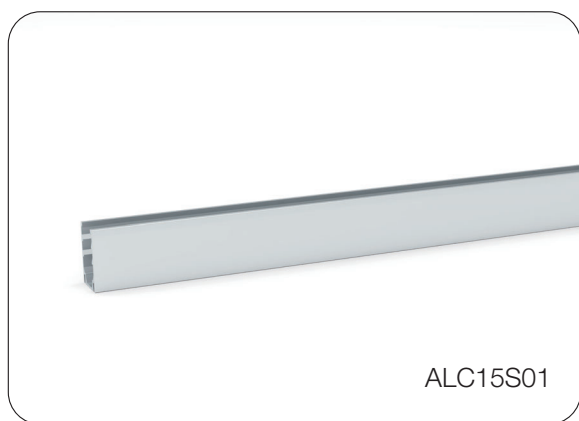


Female Connector End Cap
SYZ-EC-M12-F-4C

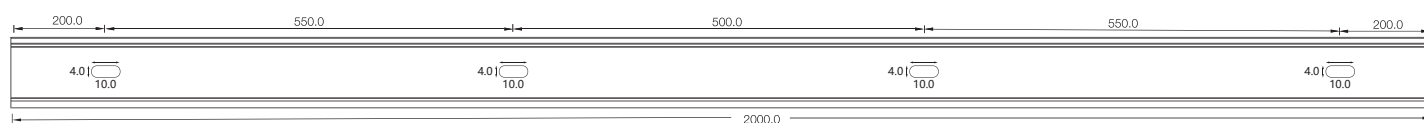
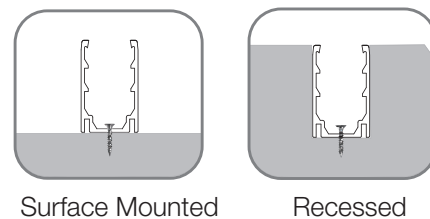


LED Linear Flex Mounting Channel

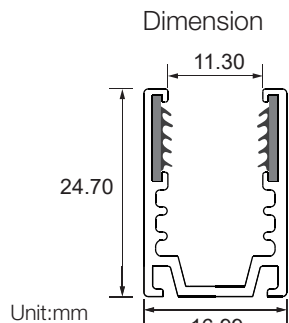
1. Aluminum Channel



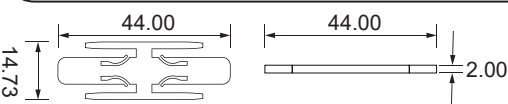
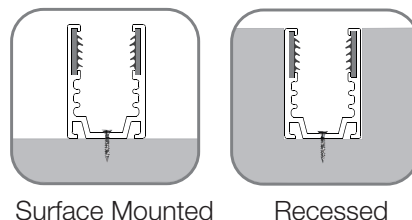
Installation Way



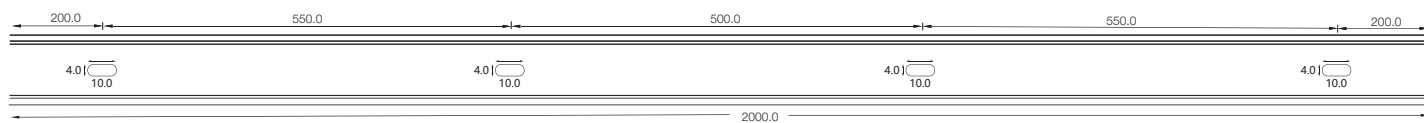
Model	W x H(mm)	Standard Length	Screw Holes	Holes Numbers	Suitable Product
ALC15S01-035	15.10*24.40	35mm	Φ4.0mm	2	F15, SF15
ALC15S01-100		1000mm	○4.0mm	2	F15, SF15
ALC15S01-200		2000mm	○4.0mm	4	F15, SF15



Installation Way

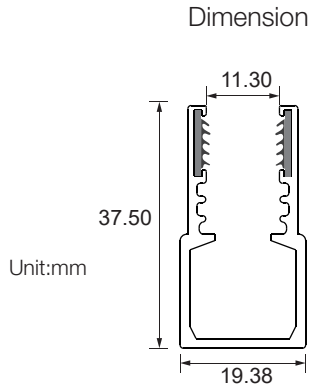
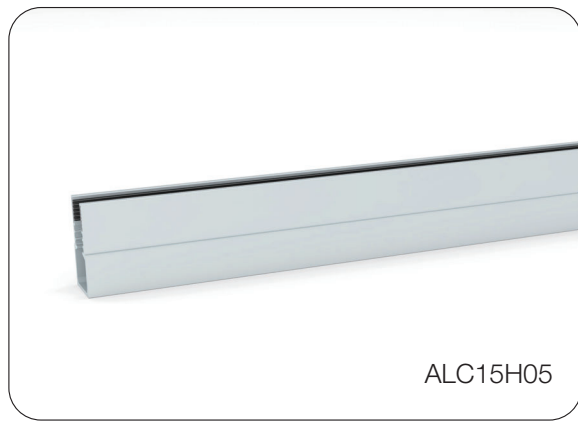


Splice Accessories: ALC15S04-SP

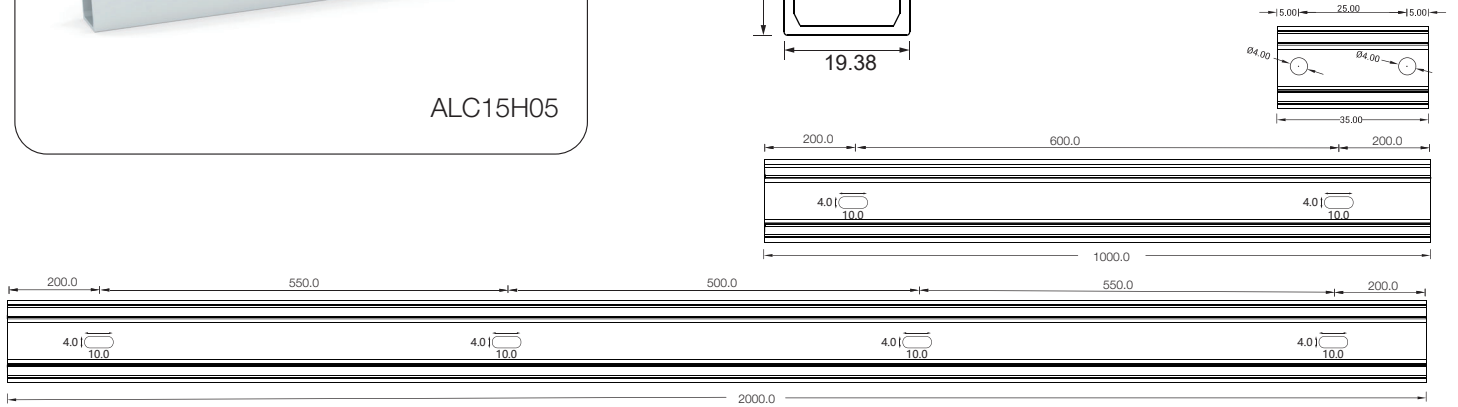
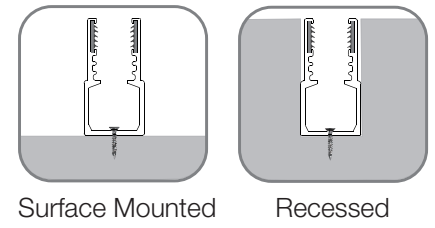


Model	W x H(mm)	Standard Length	Screw Holes	Holes Numbers	Suitable Product
ALC15S04-035	16.99*24.70	35mm	Φ4.0mm	2	F15, SF15
ALC15S04-100		1000mm	○4.0mm	2	F15, SF15
ALC15S04-200		2000mm	○4.0mm	4	F15, SF15

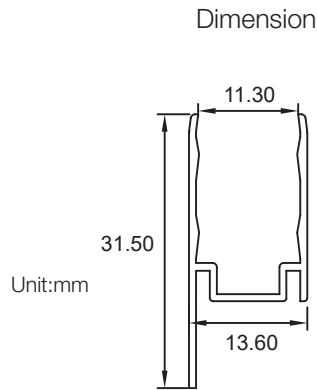
LED Linear Flex Mounting Channel



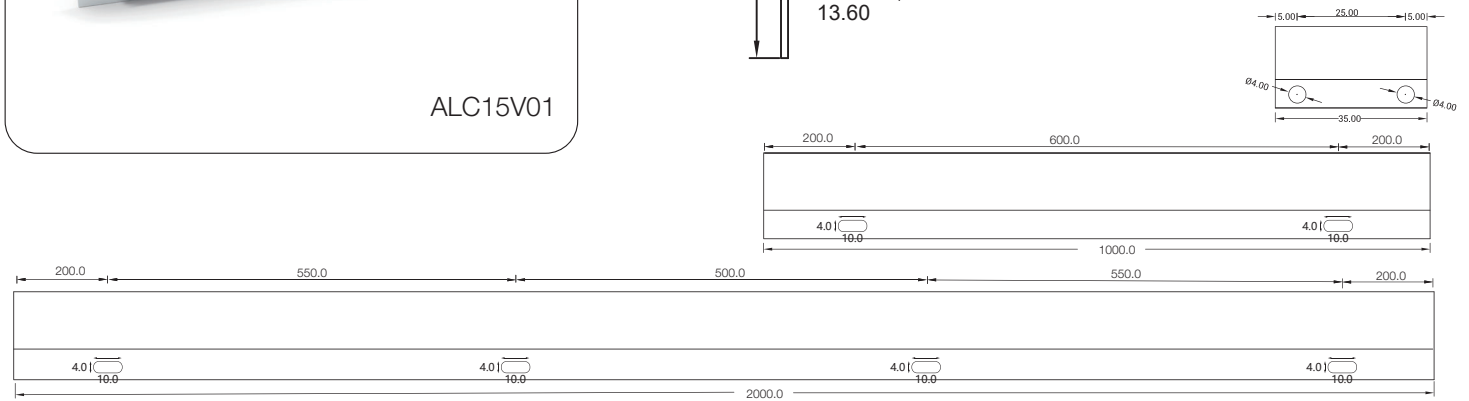
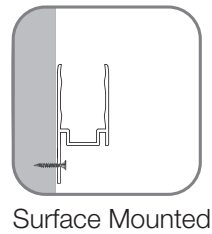
Installation Way



Model	W x H(mm)	Standard Length	Screw Holes	Holes Numbers	Suitable Product
ALC15H05-035	19.38*37.50	35mm	Φ4.0mm	2	F15, SF15
ALC15H05-100		1000mm	○4.0mm	2	F15, SF15
ALC15H05-200		2000mm	○4.0mm	4	F15, SF15



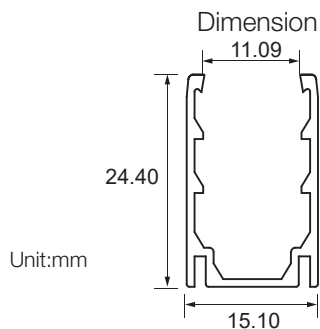
Installation Way



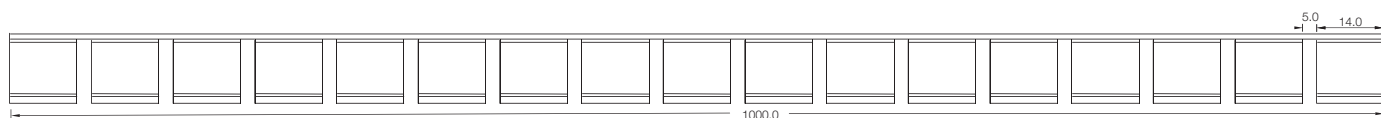
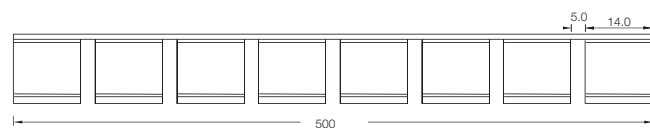
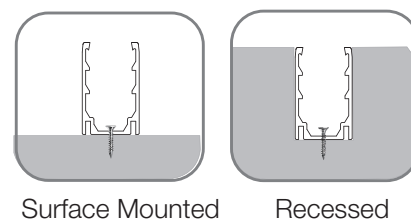
Model	W x H(mm)	Standard Length	Screw Holes	Holes Numbers	Suitable Product
ALC15V01-035	13.60*31.50	35mm	Φ4.0mm	2	F15, SF15
ALC15V01-100		1000mm	○4.0mm	2	F15, SF15
ALC15V01-200		2000mm	○4.0mm	4	F15, SF15

LED Linear Flex Mounting Channel

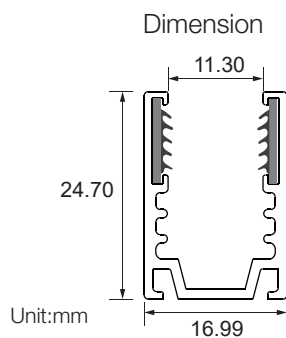
2. Flexible Aluminum Channel



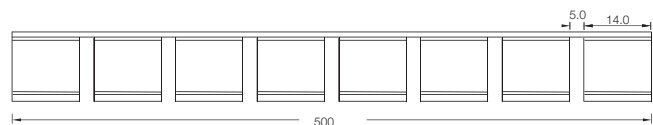
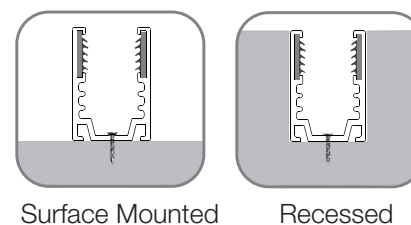
Installation Way



Model	W x H(mm)	Standard Length	Suitable Product
ALC15S01FLX05	15.10*24.40	500mm	F15, SF15
ALC15S01FLX10		1000mm	F15, SF15



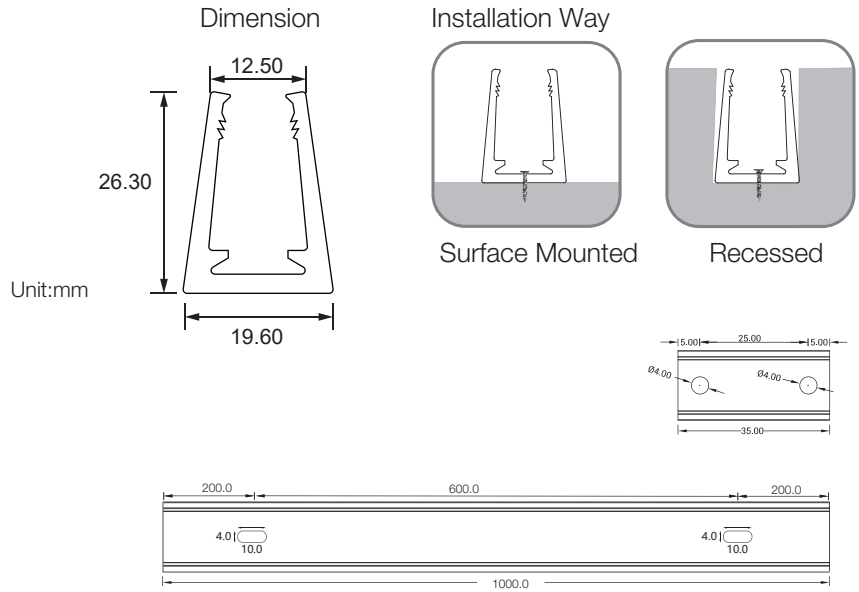
Installation Way



Model	W x H(mm)	Standard Length	Suitable Product
ALC15S04FLX05	16.99*24.70	500mm	F15, SF15
ALC15S04FLX10		1000mm	F15, SF15

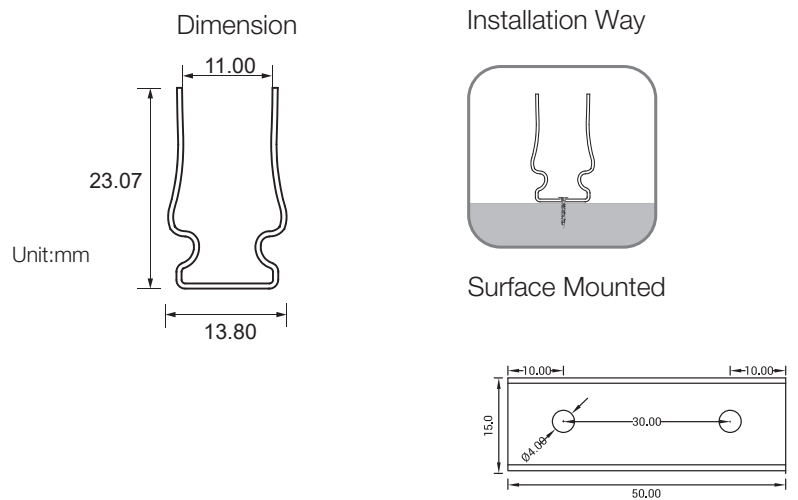
LED Linear Flex Mounting Channel

3. Plastic Channel



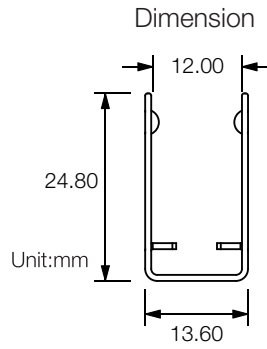
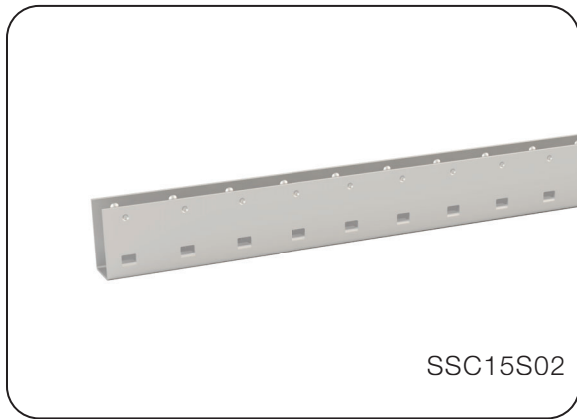
Model	W x H(mm)	Standard Length	Screw Holes	Holes Numbers	Suitable Product
PC15/21S01-T-035	19.60*26.30	35mm	Φ4.0mm	2	F15, SF15
PC15/21S01-T-100		1000mm	○4.0mm	2	F15, SF15

4. Stainless Steel Channel

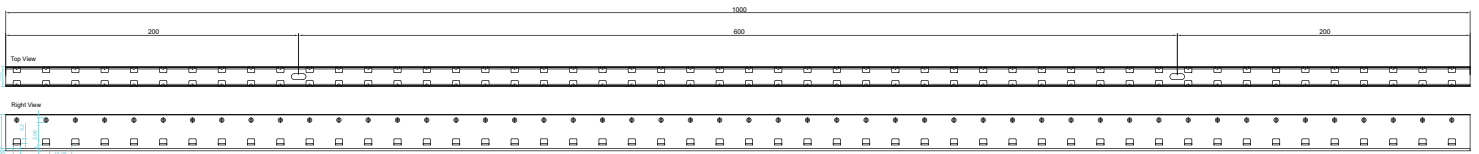
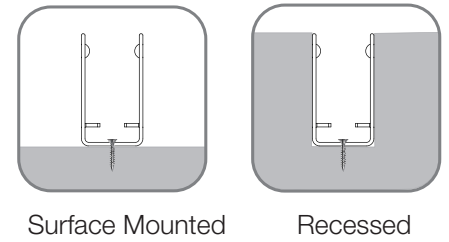


Model	W x H(mm)	Standard Length	Material	Screw Holes	Holes Numbers	Suitable Product
SSC15S01-05	13.80*23.07	50mm	Stainless Steel 316L	Φ4.0mm	2	F15, SF15

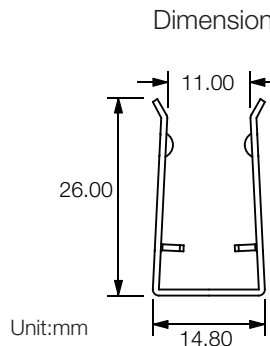
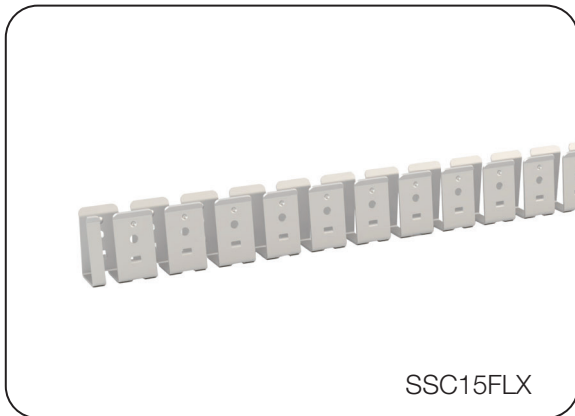
LED Linear Flex Mounting Channel



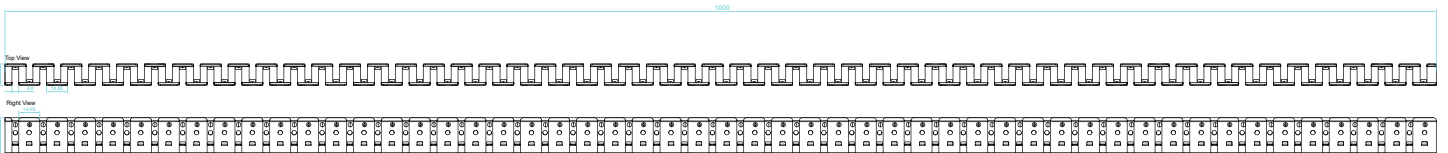
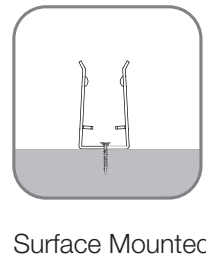
Installation Way



Model	W x H(mm)	Standard Length	Material	Screw Holes	Holes Numbers	Suitable Product
SSC15S02-100	13.60*24.80	1000mm	Stainless Steel 316L	○4.0x10mm	2	F15, SF15



Installation Way



Model	W x H(mm)	Standard Length	Material	Suitable Product
SSC15FLX01	14.80*26.00	100mm	Stainless Steel 316L	F15, SF15
SSC15FLX03		300mm	Stainless Steel 316L	F15, SF15
SSC15FLX05		500mm	Stainless Steel 316L	F15, SF15
SSC15FLX10		1000mm	Stainless Steel 316L	F15, SF15

Product Packing Details



Standard : Carton (White Carton+Paper Reel Inside)

Product	Max.length/Reel	Carton Size	Net Weight	Gross Weight
F15/SF15	30m	35*35*19cm	12.0kg	13.6kg
F16/SF16	28m	35*35*19cm	12.9kg	14.5kg
SF17	28m	35*35*19cm	12.9kg	14.5kg
SF18	28m	35*35*19cm	12.9kg	14.5kg
F21/SF21	20m	35*35*19cm	10.4kg	12.0kg
SF10	35m	35*35*19cm	11.2kg	12.8kg
SF09	45m	35*35*19cm	7.7kg	9.3kg
SF08	60m	35*35*19cm	14.4kg	16.0kg
SF06	60m	35*35*19cm	14.4kg	16.0kg



Standard : Carton (White Carton+ Roll up packing Inside)

Product	Coiling Max. length	Quantity (Roll)	Carton Size	Net Weight	Gross Weight
SP01	10m	10	35*35*19cm	20.0kg	21.6kg
SP05	11m	10	35*35*19cm	19.8kg	21.4kg
SF05	11m	10	35*35*19cm	18.0kg	19.6kg
SF06	8m	14	35*35*19cm	26.8kg	28.4kg
SF08	8m	14	35*35*19cm	26.8kg	28.4kg
SF09	8m	10	35*35*19cm	14.4kg	16.0kg
SF10	6m	11	35*35*19cm	21.2kg	22.8kg
F15/SF15	6m	7	35*35*19cm	16.8kg	18.4kg
F16/SF16	4.5m	9	35*35*19cm	18.7kg	20.3kg
SF17	4.5m	9	35*35*19cm	18.7kg	20.3kg
SF18	4.5m	9	35*35*19cm	18.7kg	20.3kg
F21/SF21	4.5m	9	35*35*19cm	21.0kg	22.6kg
SF24	13m	2	41*41*19cm	15.6kg	17.5kg

Product Packing Details



Custom : Carton (White Box+Plastic Plate Inside)

Product	Packing 1				Packing 2			
	Packing 1 Max. Length	Quantity (Plate)	Carton Size	Gross Weight	Packing 2 Max. Length	Quantity (Plate)	Carton Size	Gross Weight
F15/SF15	5m	1	41*41*5cm	2.5kg	10m	1	57*48*6cm	5.0kg
		4	41*41*19cm	10.6kg		5	57*48*19cm	25.0kg
F16/SF16	5m	1	41*41*5cm	2.5kg	10m	1	63*53*6cm	5.0kg
		4	41*41*19cm	10.0kg		3	63*53*16cm	15.0kg
SF17	5m	1	41*41*5cm	2.5kg	10m	1	63*53*6cm	5.0kg
		4	41*41*19cm	10.6kg		3	63*53*16cm	15.0kg
SF18	5m	1	41*41*5cm	2.5kg	10m	1	63*53*6cm	5.0kg
		4	41*41*19cm	10.6kg		3	63*53*16cm	15.0kg
F21/SF21	5m	1	41*41*5cm	3.1kg	10m	1	63*53*6cm	6.2kg
		4	41*41*19cm	13.0kg		3	63*53*16cm	18.6kg
SP01	10m	1	41*41*5cm	2.6kg	20m	1	57*48*6cm	5.0kg
		4	41*41*19cm	11.0kg		5	57*48*19cm	25.0kg
SP05	10m	1	41*41*5cm	2.4kg	20m	1	57*48*6cm	3.6kg
		4	41*41*19cm	9.6kg		5	57*48*19cm	18.0kg
SF05	10m	1	41*41*5cm	2.0kg	20m	1	57*48*6cm	4.0kg
		4	41*41*19cm	8.0kg		5	57*48*19cm	20.0kg
SF06	7m	1	41*41*5cm	2.3kg	14m	1	57*48*6cm	4.4kg
		4	41*41*19cm	9.2kg		5	57*48*19cm	22.0kg
SF08	7m	1	41*41*5cm	2.3kg	14m	1	57*48*6cm	4.4kg
		4	41*41*19cm	9.2kg		5	57*48*19cm	22.0kg
SF09	9m	1	41*41*5cm	2.0kg	18m	1	57*48*6cm	3.9kg
		4	41*41*19cm	8.0kg		5	57*48*19cm	19.5kg
SF10	5m	1	41*41*5cm	2.3kg	10m	1	57*48*6cm	4.2kg
		4	41*41*19cm	9.2kg		5	57*48*19cm	21.0kg
SF24	5m	1	57*48*6cm	2.3kg	10m	1	63*53*6cm	4.2kg
		4	57*48*19cm	9.2kg		5	63*53*16cm	21.0kg
SF33	3m	1	63*53*6cm	3.4kg	10m	1	85*73*6cm	11.5kg
		3	63*53*16cm	10.2kg		2	85*73*11cm	23.0kg
SF34	3m	1	63*53*6cm	3.2kg	10m	1	85*73*6cm	11.0kg
		3	63*53*16cm	9.6kg		2	85*73*11cm	22.0kg