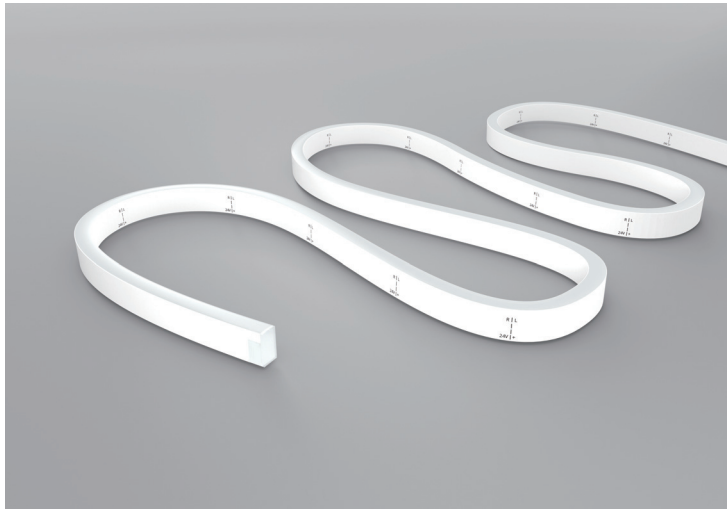


# SF15 Mono Color Silicone LED Linear Flex

SF15-24V-3528-72-2200K~6500K

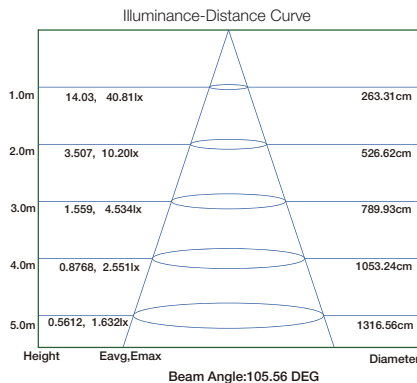
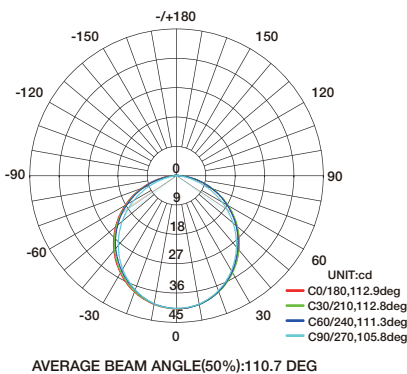
## Specification



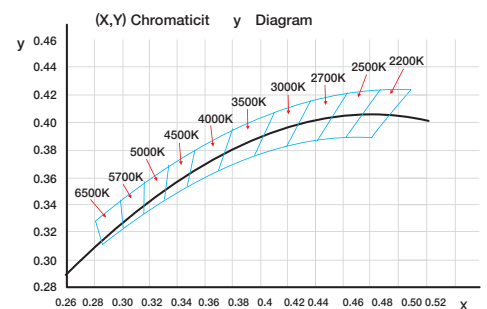
## Technical Parameters

Electrical	Optional Color	Lumen Output
Input Voltage	24V DC	
Power Consumption	5W/m	
Physical		
LED Count	72 LEDs/m	
Cutting Unit	12 LEDs	
Cutting Unit Length	166.7mm	
Minimum Bend Diameter	80mm	
Output		
LED Light	Epistar SMD LED 3528	
CRI	>80, >90	
Max Run Length*		
Single Feed	15M	
Double Feed	30 M	
Beam Angle	120°	
Lumen Maintenance	70,000 Hours L70 @ 25°C 50,000 Hours L70 @ 50°C	
Temperature Ranges		
Installation	0°C to 50°C	
Operating	-40°C to 55°C	
Dependability		
Warranty	5 Years Warranty	
IP Rating	IP68 Wet location submersible <2m	

## Illuminance Distribution

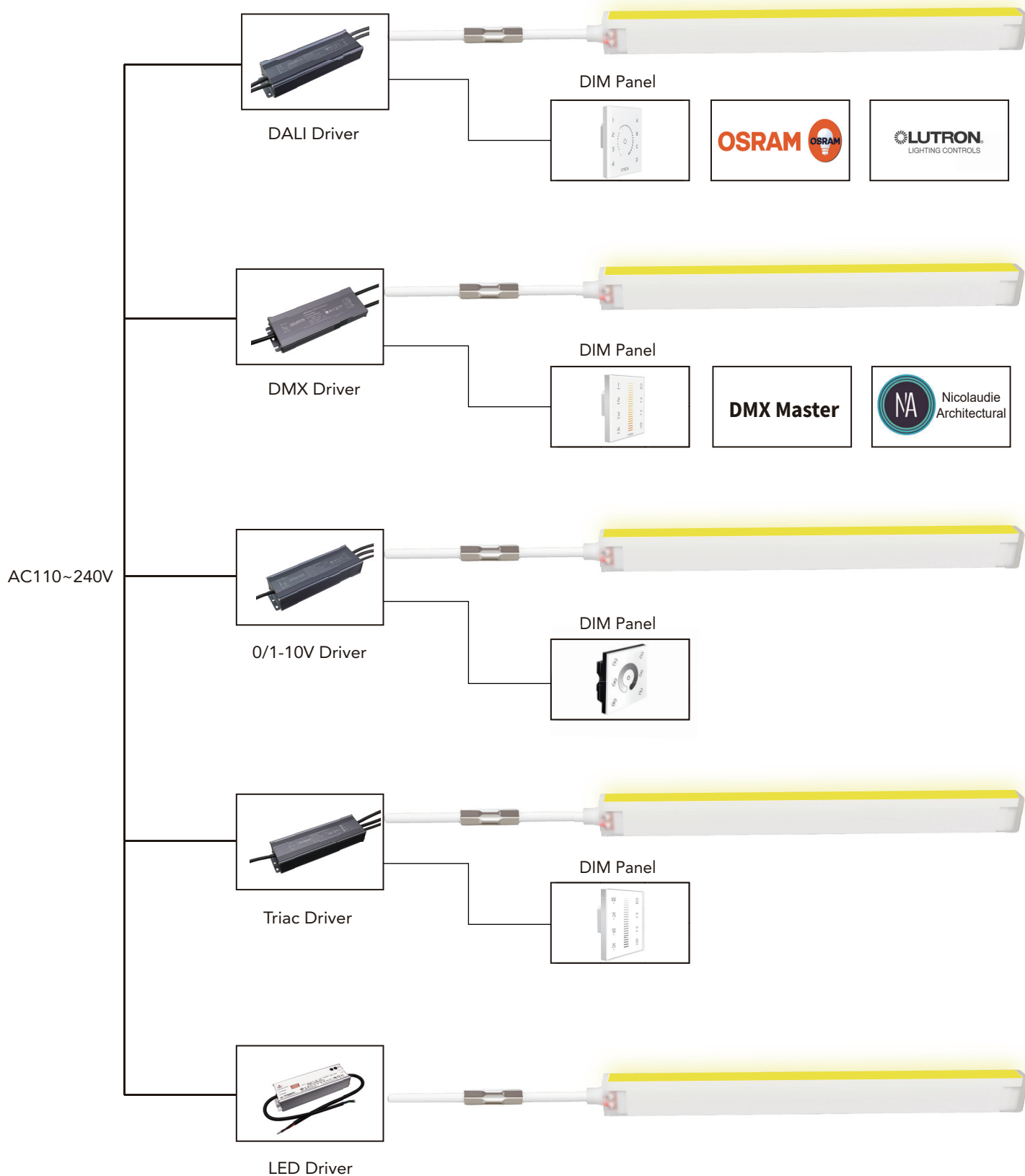


## White Color Charts



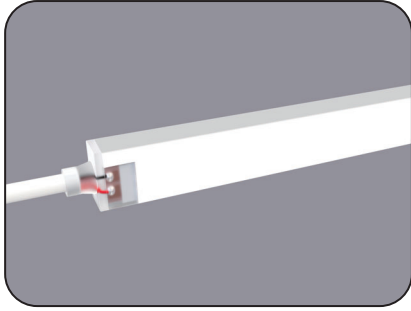
# SF15 Mono Color Silicone LED Linear Flex

## Connection

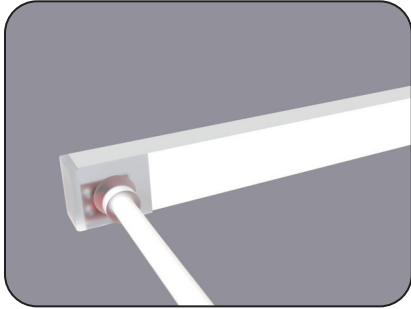
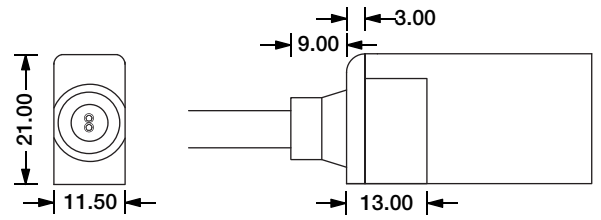


# SF15 Configuration and Accessories

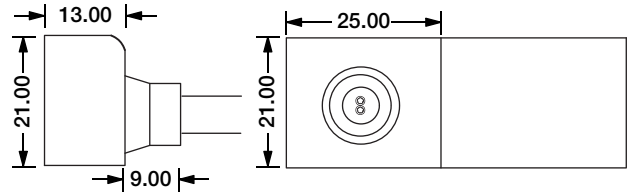
Mold Injection Connector (IP68 Factory Assembly Only)



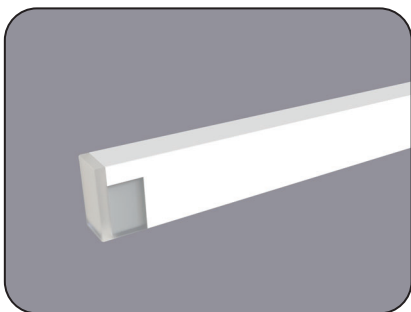
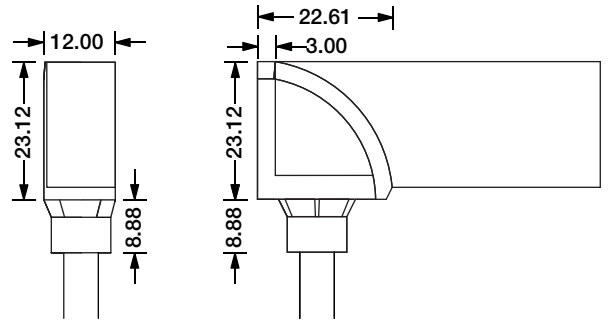
Direct Entry Connector  
 MJ-SF15-A-D01/02/03  
 MJ-SF15-A-D01SM  
 MJ-SF15-A-D02SF  
 MJ-SF15-A-D03SFM



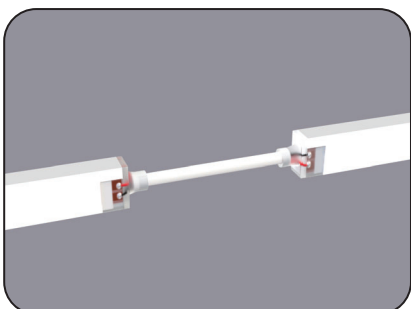
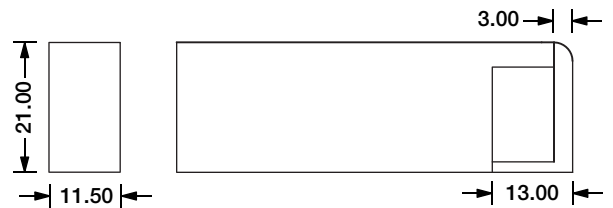
Side Entry Connector  
 MJ-SF15-A-S01/02/03  
 MJ-SF15-A-S01SM  
 MJ-SF15-A-S02SF  
 MJ-SF15-A-S03SFM



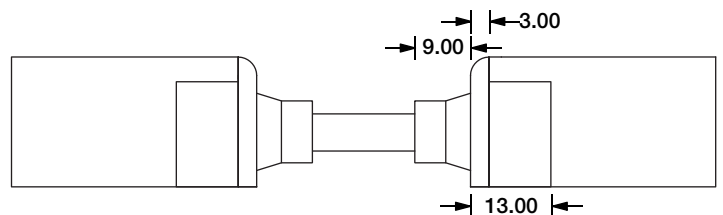
Bottom Entry Connector  
 MJ-SF15-A-B01/02/03  
 MJ-SF15-A-B01SM  
 MJ-SF15-A-B02SF  
 MJ-SF15-A-B03SFM



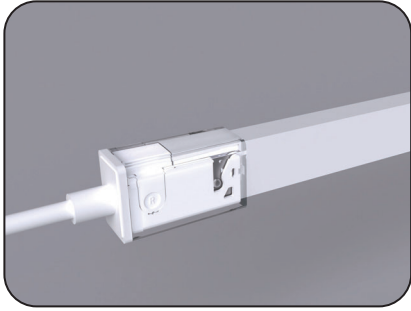
End Cap



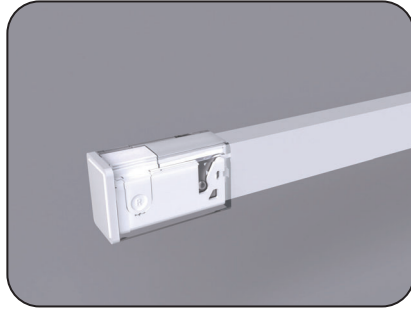
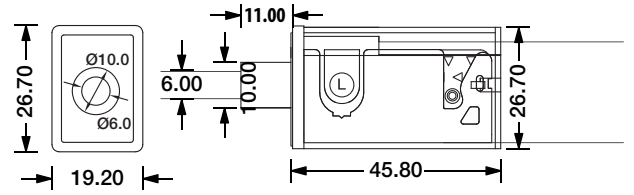
Jumper  
 MJ-SF15-A-D-JC



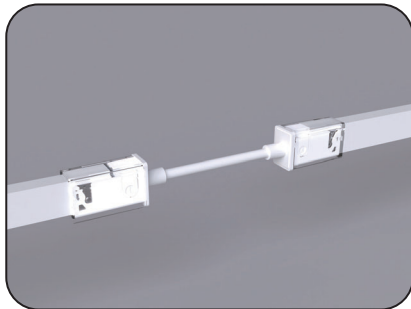
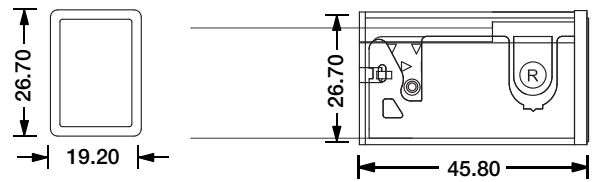
# SF15 Configuration and Accessories



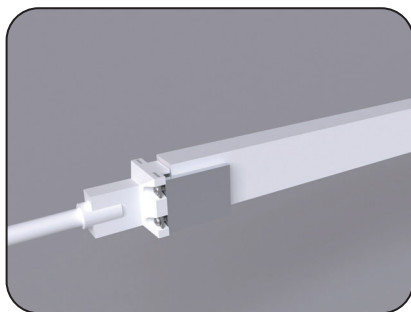
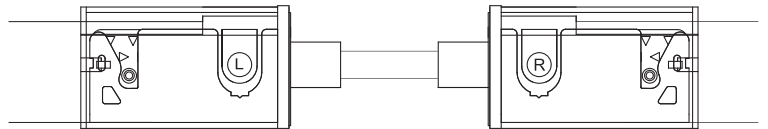
DIY Snap Connector  
DIY-SN-FR-15-D-01/02-A



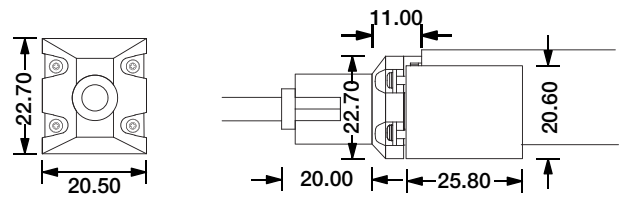
DIY Snap End Cap  
DIY-SN-END-15-D-01/02



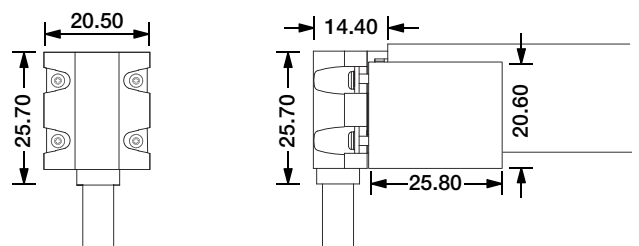
DIY Snap Connector Jumper  
DIY-SN-FR-15-A-D-JC



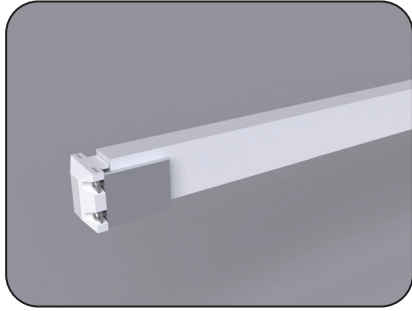
DIY Screw Connector  
DIY-SC-FR-15-D-01/02-A



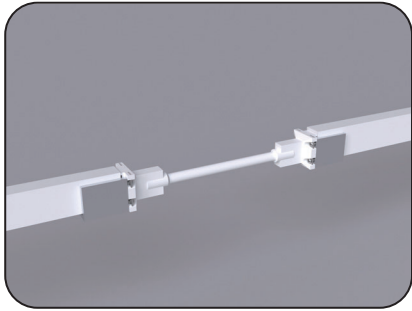
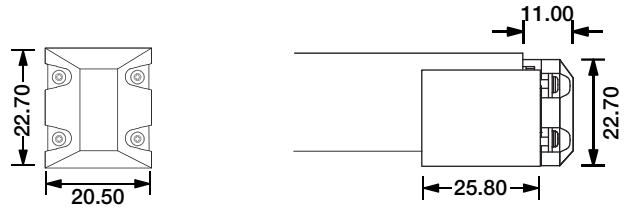
DIY Screw Connector  
DIY-SC-FR-15-B-01/02-A



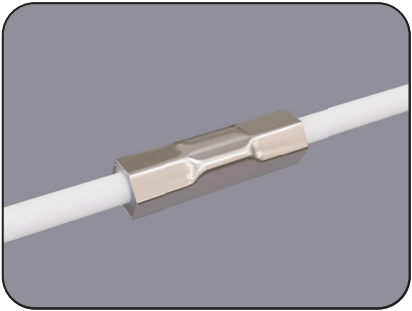
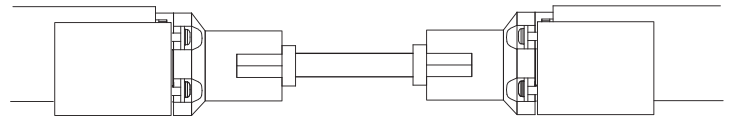
# SF15 Configuration and Accessories



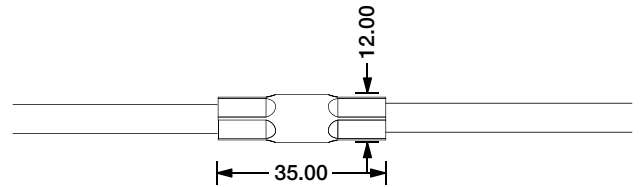
DIY Screw End Cap  
DIY-SC-END-15



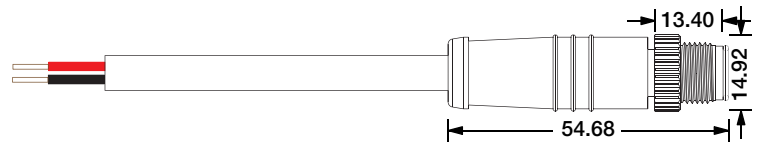
DIY Screw Extent Connector  
DIY-SC-EXT-15-A



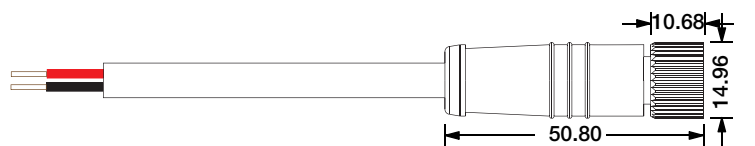
Waterproof Interrupter



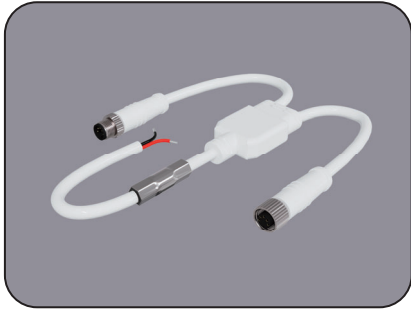
Male Connector  
M12-M-2C-18AWG-D6-W-0327-S



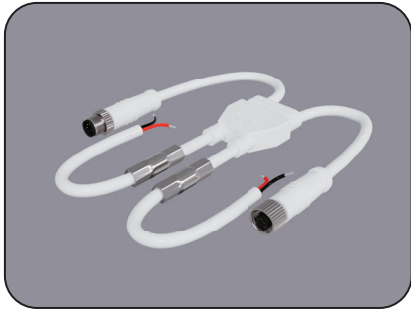
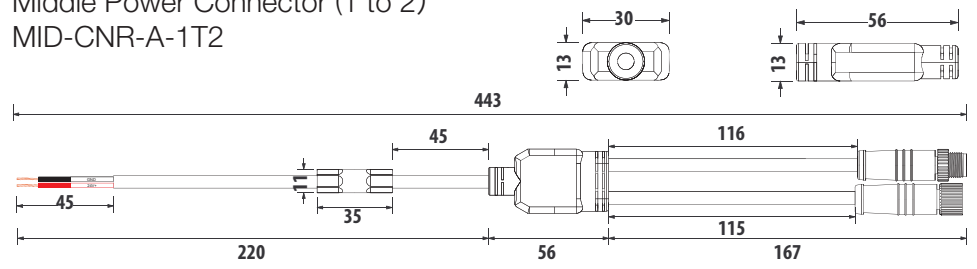
Female Connector  
M12-F-2C-18AWG-D6-W-0327-S



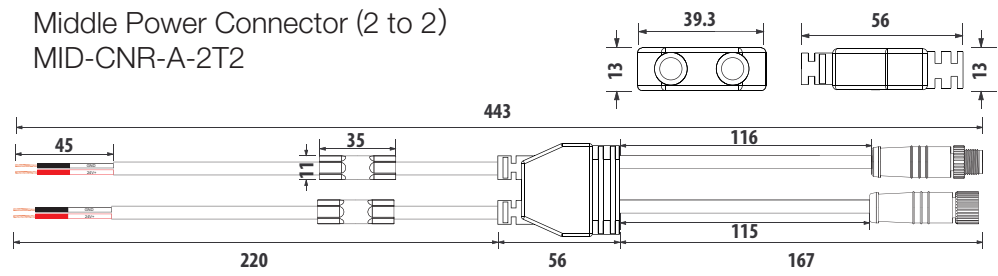
# SF15 Configuration and Accessories



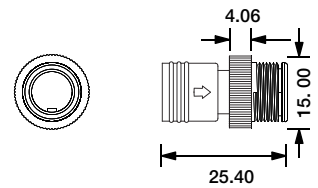
Middle Power Connector (1 to 2)  
MID-CNR-A-1T2



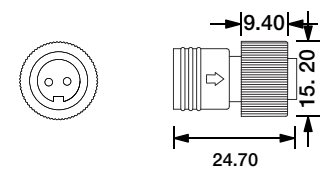
Middle Power Connector (2 to 2)  
MID-CNR-A-2T2



Male Connector End Cap  
SYZ-EC-M12-M

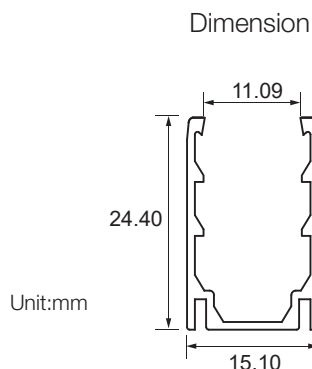
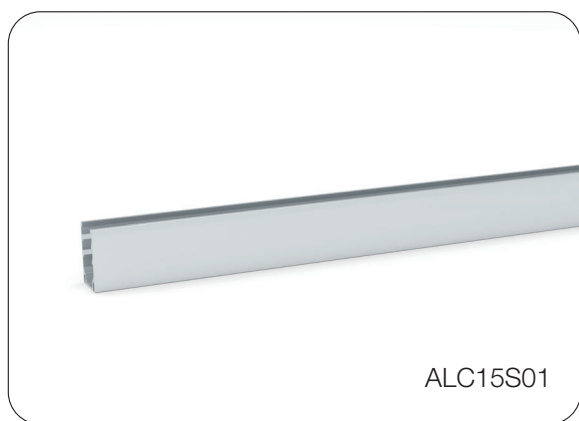


Female Connector End Cap  
SYZ-EC-M12-F-2C

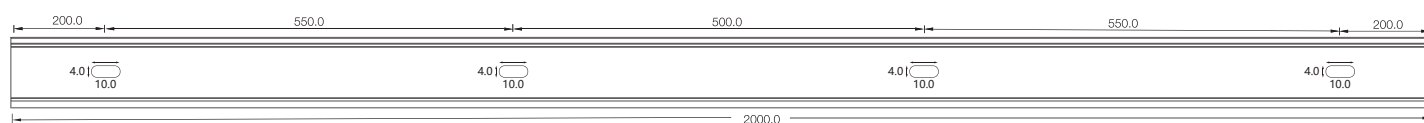
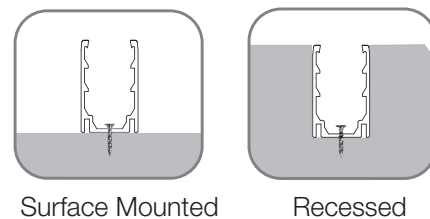


# LED Linear Flex Mounting Channel

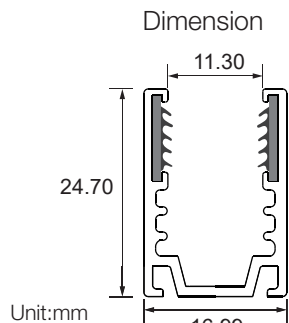
## 1. Aluminum Channel



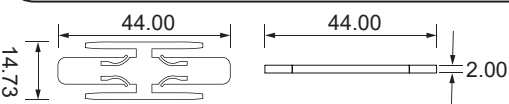
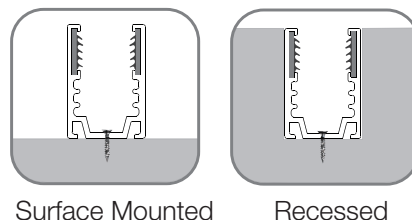
Installation Way



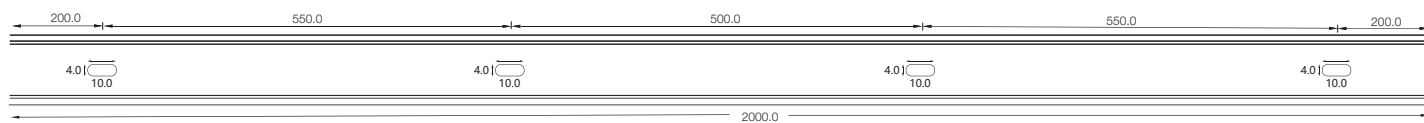
Model	W x H(mm)	Standard Length	Screw Holes	Holes Numbers	Suitable Product
ALC15S01-035	15.10*24.40	35mm	Φ4.0mm	2	F15, SF15
ALC15S01-100		1000mm	○4.0mm	2	F15, SF15
ALC15S01-200		2000mm	○4.0mm	4	F15, SF15



Installation Way

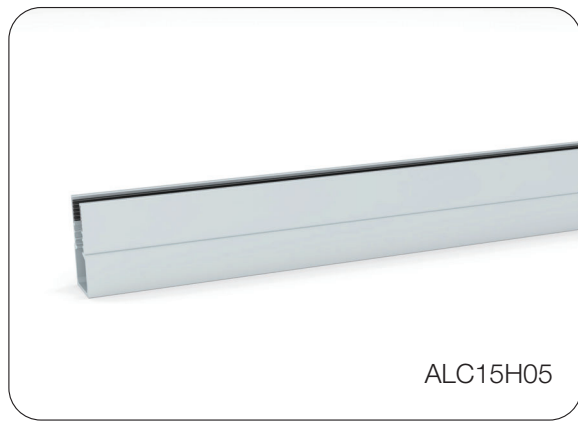


Splice Accessories: ALC15S04-SP

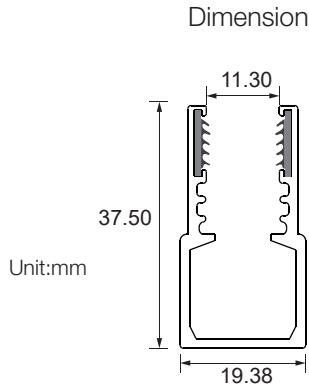


Model	W x H(mm)	Standard Length	Screw Holes	Holes Numbers	Suitable Product
ALC15S04-035	16.99*24.70	35mm	Φ4.0mm	2	F15, SF15
ALC15S04-100		1000mm	○4.0mm	2	F15, SF15
ALC15S04-200		2000mm	○4.0mm	4	F15, SF15

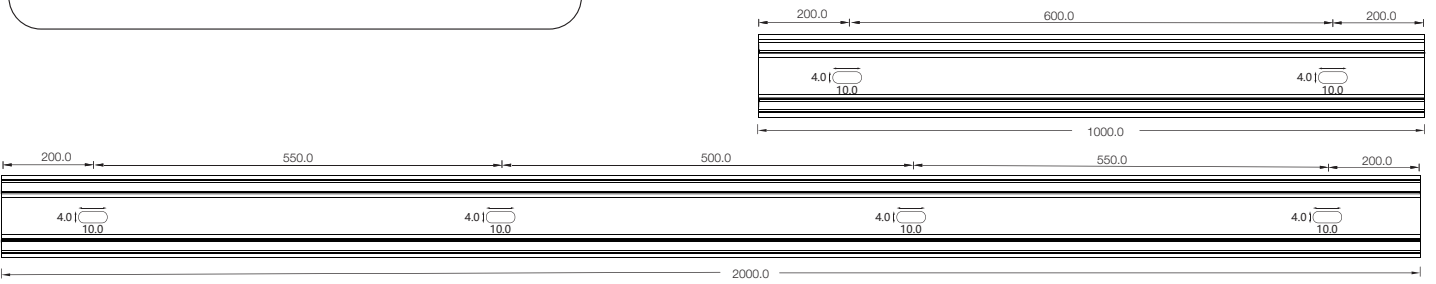
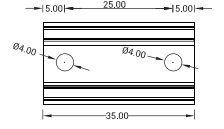
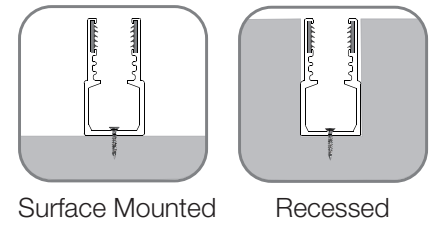
# LED Linear Flex Mounting Channel



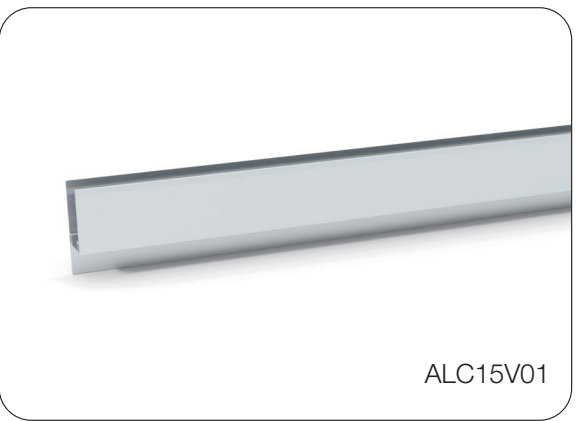
ALC15H05



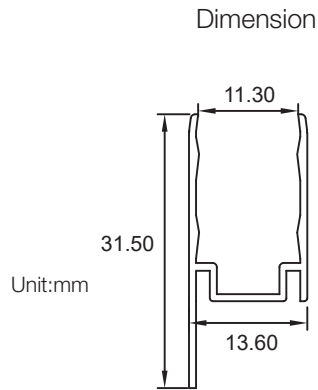
## Installation Way



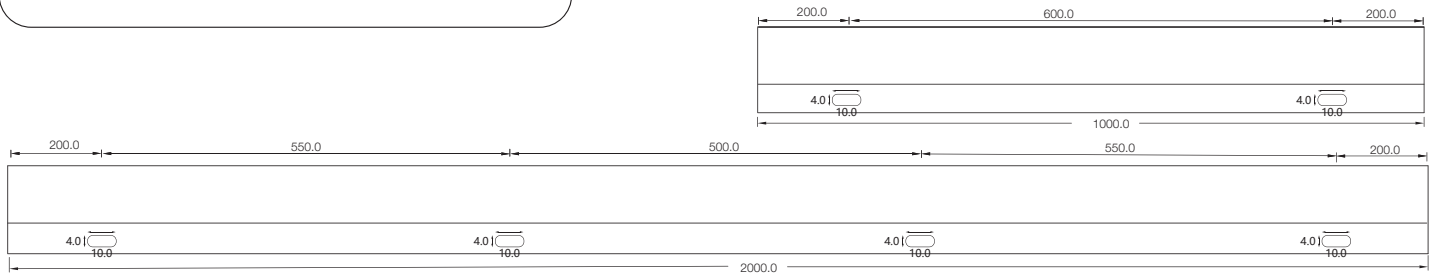
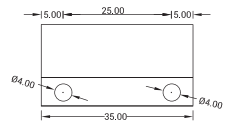
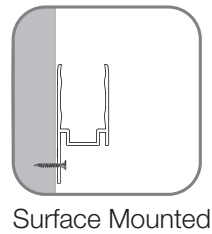
Model	W x H(mm)	Standard Length	Screw Holes	Holes Numbers	Suitable Product
ALC15H05-035	19.38*37.50	35mm	Φ4.0mm	2	F15, SF15
ALC15H05-100		1000mm	○4.0mm	2	F15, SF15
ALC15H05-200		2000mm	○4.0mm	4	F15, SF15



ALC15V01



## Installation Way

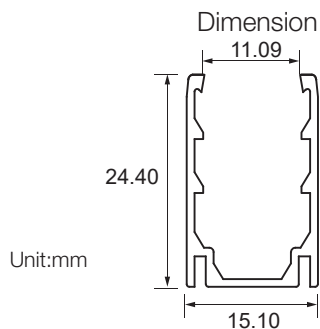


Model	W x H(mm)	Standard Length	Screw Holes	Holes Numbers	Suitable Product
ALC15V01-035	13.60*31.50	35mm	Φ4.0mm	2	F15, SF15
ALC15V01-100		1000mm	○4.0mm	2	F15, SF15
ALC15V01-200		2000mm	○4.0mm	4	F15, SF15

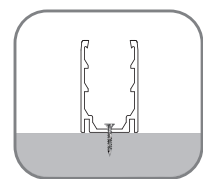


# LED Linear Flex Mounting Channel

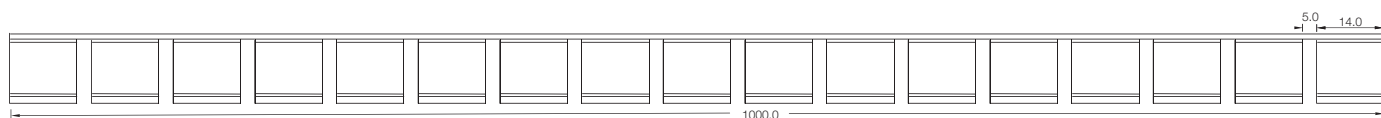
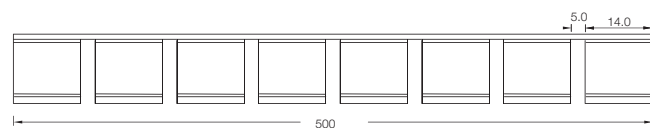
## 2. Flexible Aluminum Channel



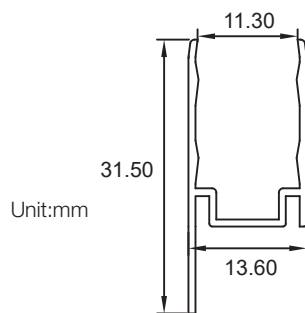
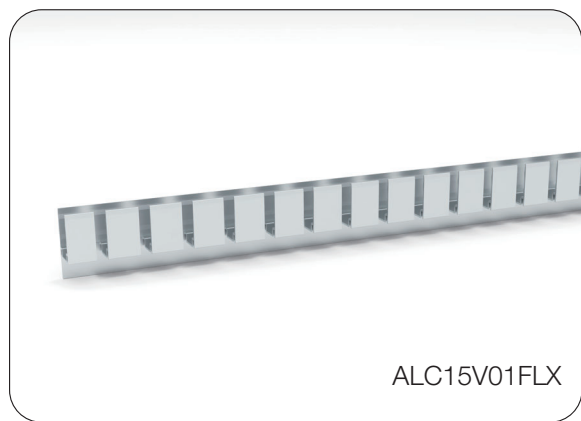
Installation Way



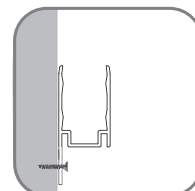
Surface Mounted



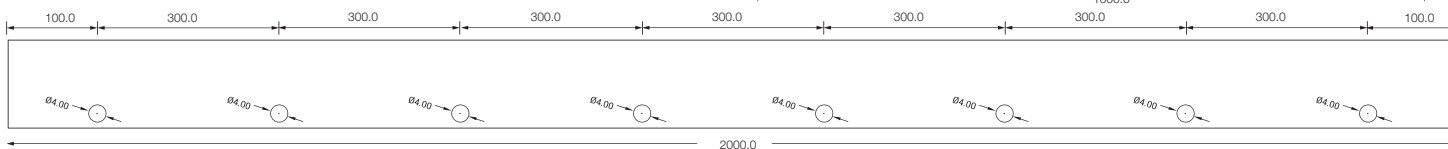
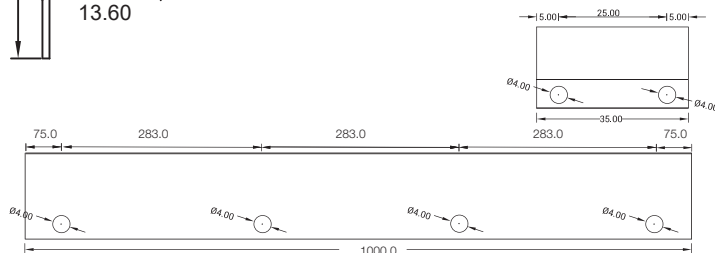
Model	W x H(mm)	Standard Length	Suitable Product
ALC15S01FLX05	15.10*24.40	500mm	F15, SF15
ALC15S01FLX10		1000mm	F15, SF15



Installation Way



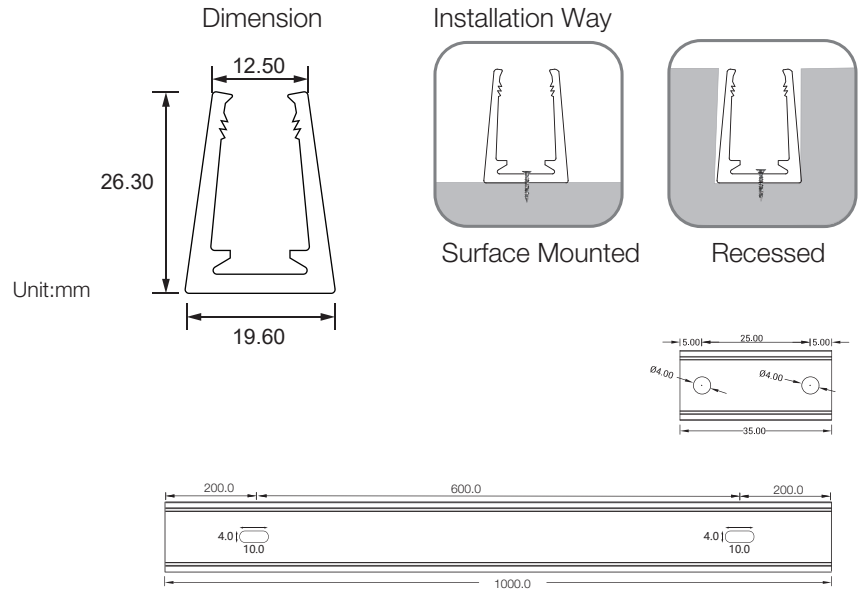
Surface Mounted



Model	W x H(mm)	Standard Length	Screw Holes	Holes Numbers	Suitable Product
ALC15V01FLX-100	13.60*31.50	1000mm	○4.0mm	4	F15, SF15
ALC15V01FLX-200		2000mm	○4.0mm	8	F15, SF15

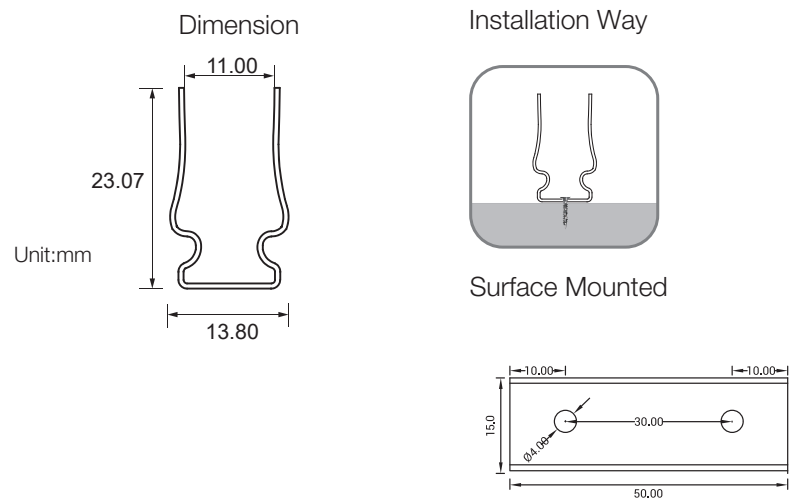
# LED Linear Flex Mounting Channel

## 3. Plastic Channel



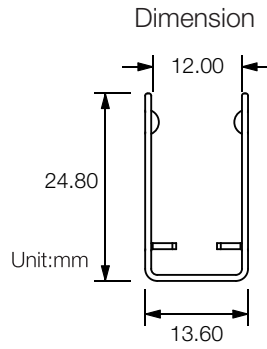
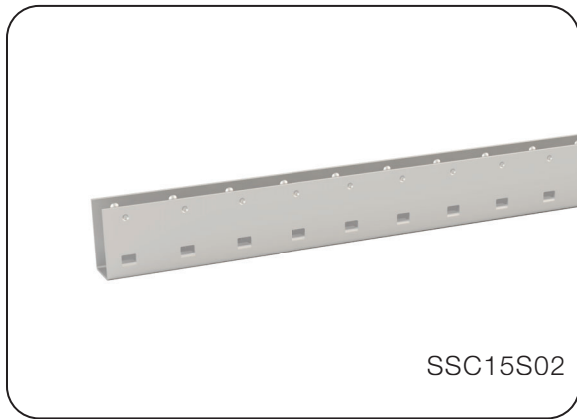
Model	W x H(mm)	Standard Length	Screw Holes	Holes Numbers	Suitable Product
PC15/21S01-T-035	19.60*26.30	35mm	Ø4.0mm	2	F15, SF15
PC15/21S01-T-100		1000mm	○4.0mm	2	F15, SF15

## 4. Stainless Steel Channel

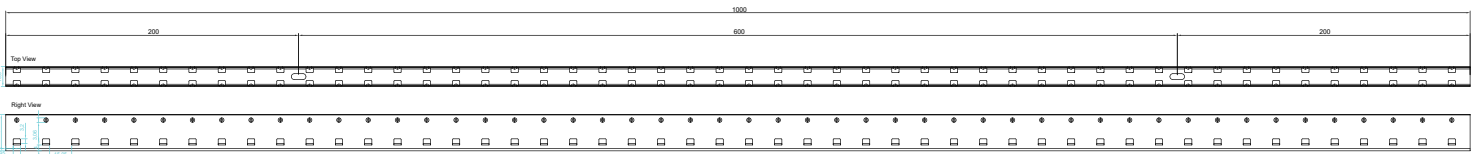
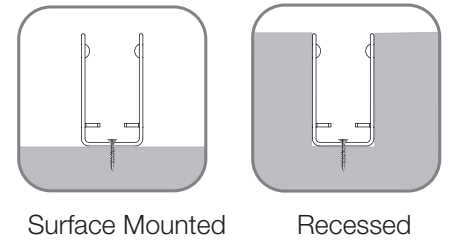


Model	W x H(mm)	Standard Length	Material	Screw Holes	Holes Numbers	Suitable Product
SSC15S01-05	13.80*23.07	50mm	Stainless Steel 316L	Ø4.0mm	2	F15, SF15

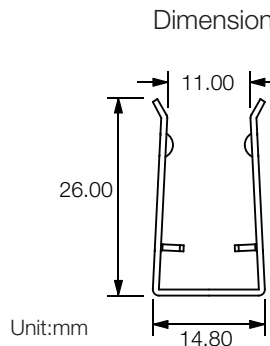
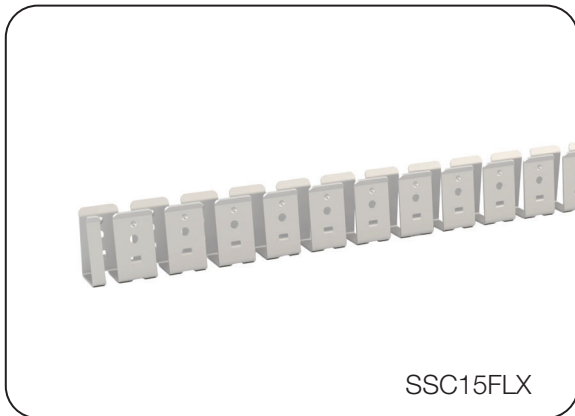
# LED Linear Flex Mounting Channel



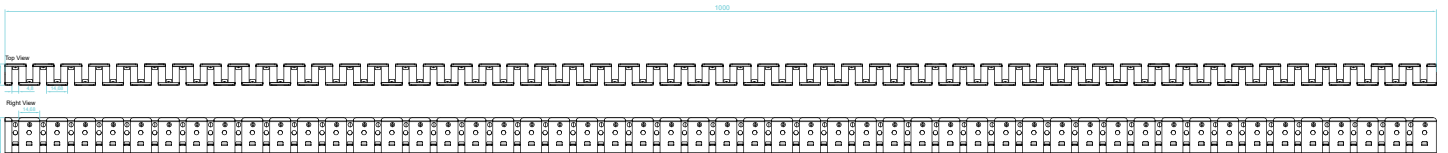
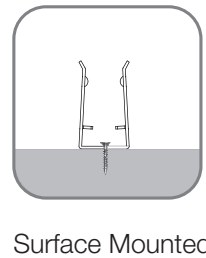
## Installation Way



Model	W x H(mm)	Standard Length	Material	Screw Holes	Holes Numbers	Suitable Product
SSC15S02-100	13.60*24.80	1000mm	Stainless Steel 316L	○4.0x10mm	2	F15, SF15



## Installation Way



Model	W x H(mm)	Standard Length	Material	Suitable Product
SSC15FLX01	14.80*26.00	100mm	Stainless Steel 316L	F15, SF15
SSC15FLX03		300mm	Stainless Steel 316L	F15, SF15
SSC15FLX05		500mm	Stainless Steel 316L	F15, SF15
SSC15FLX10		1000mm	Stainless Steel 316L	F15, SF15

# Product Packing Details



## Standard : Carton (White Carton+Paper Reel Inside)

Product	Max.length/Reel	Carton Size	Net Weight	Gross Weight
F15/SF15	30m	35*35*19cm	12.0kg	13.6kg
F16/SF16	28m	35*35*19cm	12.9kg	14.5kg
SF17	28m	35*35*19cm	12.9kg	14.5kg
SF18	28m	35*35*19cm	12.9kg	14.5kg
F21/SF21	20m	35*35*19cm	10.4kg	12.0kg
SF10	35m	35*35*19cm	11.2kg	12.8kg
SF09	45m	35*35*19cm	7.7kg	9.3kg
SF08	60m	35*35*19cm	14.4kg	16.0kg
SF06	60m	35*35*19cm	14.4kg	16.0kg



## Standard : Carton (White Carton+ Roll up packing Inside)

Product	Coiling Max. length	Quantity (Roll)	Carton Size	Net Weight	Gross Weight
SP01	10m	10	35*35*19cm	20.0kg	21.6kg
SP05	11m	10	35*35*19cm	19.8kg	21.4kg
SF05	11m	10	35*35*19cm	18.0kg	19.6kg
SF06	8m	14	35*35*19cm	26.8kg	28.4kg
SF08	8m	14	35*35*19cm	26.8kg	28.4kg
SF09	8m	10	35*35*19cm	14.4kg	16.0kg
SF10	6m	11	35*35*19cm	21.2kg	22.8kg
F15/SF15	6m	7	35*35*19cm	16.8kg	18.4kg
F16/SF16	4.5m	9	35*35*19cm	18.7kg	20.3kg
SF17	4.5m	9	35*35*19cm	18.7kg	20.3kg
SF18	4.5m	9	35*35*19cm	18.7kg	20.3kg
F21/SF21	4.5m	9	35*35*19cm	21.0kg	22.6kg
SF24	13m	2	41*41*19cm	15.6kg	17.5kg

# Product Packing Details



Custom : Carton (White Box+Plastic Plate Inside)

Product	Packing 1				Packing 2			
	Packing 1 Max. Length	Quantity (Plate)	Carton Size	Gross Weight	Packing 2 Max. Length	Quantity (Plate)	Carton Size	Gross Weight
F15/SF15	5m	1	41*41*5cm	2.5kg	10m	1	57*48*6cm	5.0kg
		4	41*41*19cm	10.6kg		5	57*48*19cm	25.0kg
F16/SF16	5m	1	41*41*5cm	2.5kg	10m	1	63*53*6cm	5.0kg
		4	41*41*19cm	10.0kg		3	63*53*16cm	15.0kg
SF17	5m	1	41*41*5cm	2.5kg	10m	1	63*53*6cm	5.0kg
		4	41*41*19cm	10.6kg		3	63*53*16cm	15.0kg
SF18	5m	1	41*41*5cm	2.5kg	10m	1	63*53*6cm	5.0kg
		4	41*41*19cm	10.6kg		3	63*53*16cm	15.0kg
F21/SF21	5m	1	41*41*5cm	3.1kg	10m	1	63*53*6cm	6.2kg
		4	41*41*19cm	13.0kg		3	63*53*16cm	18.6kg
SP01	10m	1	41*41*5cm	2.6kg	20m	1	57*48*6cm	5.0kg
		4	41*41*19cm	11.0kg		5	57*48*19cm	25.0kg
SP05	10m	1	41*41*5cm	2.4kg	20m	1	57*48*6cm	3.6kg
		4	41*41*19cm	9.6kg		5	57*48*19cm	18.0kg
SF05	10m	1	41*41*5cm	2.0kg	20m	1	57*48*6cm	4.0kg
		4	41*41*19cm	8.0kg		5	57*48*19cm	20.0kg
SF06	7m	1	41*41*5cm	2.3kg	14m	1	57*48*6cm	4.4kg
		4	41*41*19cm	9.2kg		5	57*48*19cm	22.0kg
SF08	7m	1	41*41*5cm	2.3kg	14m	1	57*48*6cm	4.4kg
		4	41*41*19cm	9.2kg		5	57*48*19cm	22.0kg
SF09	9m	1	41*41*5cm	2.0kg	18m	1	57*48*6cm	3.9kg
		4	41*41*19cm	8.0kg		5	57*48*19cm	19.5kg
SF10	5m	1	41*41*5cm	2.3kg	10m	1	57*48*6cm	4.2kg
		4	41*41*19cm	9.2kg		5	57*48*19cm	21.0kg
SF24	5m	1	57*48*6cm	2.3kg	10m	1	63*53*6cm	4.2kg
		4	57*48*19cm	9.2kg		5	63*53*16cm	21.0kg
SF33	3m	1	63*53*6cm	3.4kg	10m	1	85*73*6cm	11.5kg
		3	63*53*16cm	10.2kg		2	85*73*11cm	23.0kg
SF34	3m	1	63*53*6cm	3.2kg	10m	1	85*73*6cm	11.0kg
		3	63*53*16cm	9.6kg		2	85*73*11cm	22.0kg